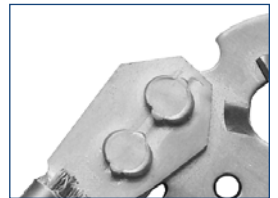


# Tog-Loc<sup>®</sup> Tooling 940 Series

Standard Dies, Punches, Strippers, & Holders for Clinching Sheet Metal



Features 3.0, 3.8, 4.6, 5.5, 6.4, and 7.6mm Tooling

Contains standard 940 Punches, Dies & Holders

“Mini” and Standard Die Styles Included



**BTM<sup>®</sup>**  
**COMPANY**

[btmcomp.com](http://btmcomp.com)

+1.810.364.4567

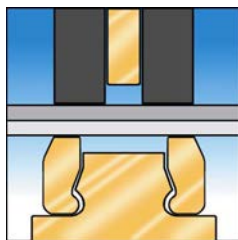
# Fastening without Fasteners

BTM's patented Tog-L-Loc® sheet metal joining system is the simple solution for fastening plain or coated sheet metals. Tog-L-Loc® forms a strong, leakproof "button" headed joint without welding or riveting in almost any combination of ductile sheet metals. The Tog-L-Loc® system is widely used in the manufacture of automobiles, appliances, furniture, electrical products, building supplies, and more.

For information on how to apply this tooling, or to inquire about other types of Tog-L-Loc® tooling, contact BTM Company.

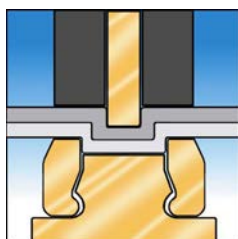
**940 Punch Retention:** Compared to a set screw, the 940 retention method is more robust during normal machine cycling.

**940 Die Advantages:** 940 dies feature a built in die shield with integrated drain holes which helps keep the die clean in applications using lubricated materials.



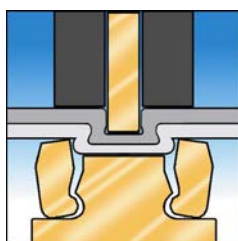
**CLAMPS**

The first step in the Tog-L-Loc® process involves clamping of the material with a punch side stripper.



**DRAWS**

Next, the punch draws the material into the die.



**LOCKS**

As the material flows into the die, the die blades expand, allowing the metal to flow into a strong interlock.

## A few examples of parts clinched using Tog-L-Loc®



**Aluminized Steel Exhaust Shield**



**Laminated Sound Deadening Material**





**Galvanized Duct**



**Pre-Painted Steel Refrigerator Cabinet**



## Tog-L-Loc® Die Comparison

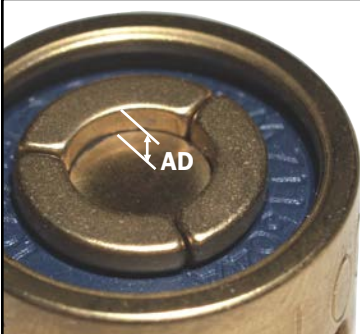
Dies In this Catalog	Other Tog-L-Loc® Dies	
 <p><b>940 Series Dies</b></p> <p>940 Dies feature a built in die shield that surrounds an elastomer ring (or a canted coil spring) and three die blades.</p>	 <p><b>Three Bladed Elastomer Dies</b></p> <p>These dies are ideal when the die guarding can be modified to incorporate contour features in a part.</p>	 <p><b>Two Bladed Dies</b></p> <p>Ideal for very tight joining locations up against a flange, where the blades can operate parallel.</p>

## Before you Order

Follow these steps to ensure your satisfaction with Tog-L-Loc®:

1. Submit a sample of your part and or material to the BTM sample department. A “Sample Data Sheet” will be used to record what tooling was used to make your sample, as well as the resulting shear and peel strengths.
2. Test your sample
3. Upon your approval, contact the BTM application engineering department and we will help you select the correct punch, die, stripper, and holders. This catalog will be used as a reference.
4. Order the required Tog-L-Loc® or Lance-N-Loc® tooling for your application.

## Using the Die Charts in this Catalog



**Anvil Depth**

The Anvil Depth is the distance from the anvil to the top of the die blades. The correct anvil depth for an application is determined through testing and/or surrogate joint data at BTM, not by material thickness.

**Standard Die**  
[Contact BTM for compatibility.]

**Dies intended for use with Aluminum.**

AD	Standard	Aluminum
.020	71150025	76010025

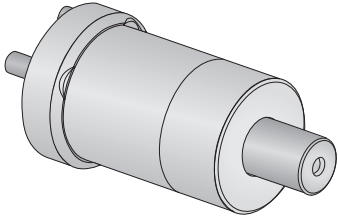
Call +1.810.364.4567, or email [sales@btmcomp.com](mailto:sales@btmcomp.com) to ensure you order the correct tooling configuration for the material you are joining.

## Safety Note

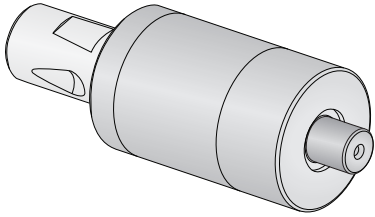
It is the customer and/or user’s responsibility to provide proper safety controls and/or guarding when a pinch point is present.

## Tog-L-Loc® Tooling Terminology

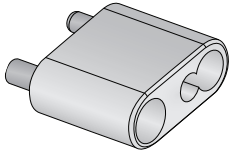
### 940 Series Punch Holders



Round Punch Holder  
[For Die Set Mounting]



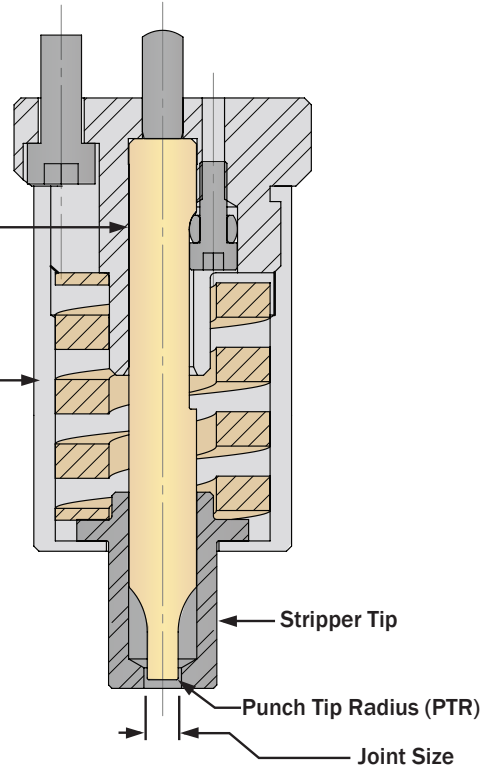
Shank Punch Holder



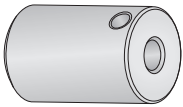
Thin Punch Holder

Tog-L-Loc® Punch

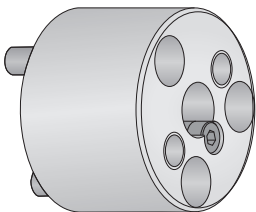
Punch Holder  
Assembly



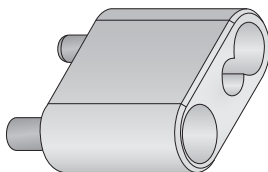
### 940 Series Die Holders



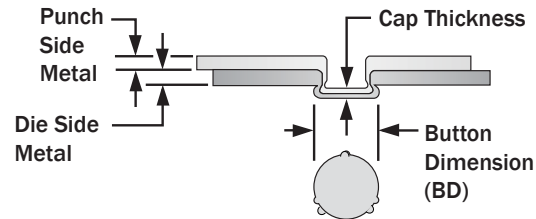
Style "A" Die Holder  
[For Style "A" Dies]



Round Die Holder



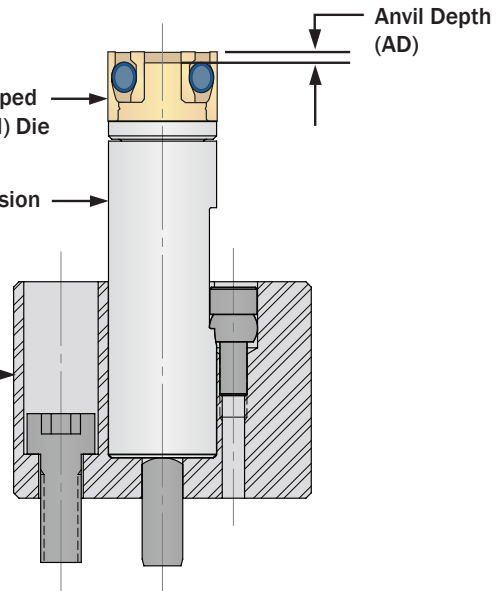
Thin Die Holder



Tog-L-Loc® Stepped  
Short Instert (SSI) Die

SSI Die Extension

Die Holder  
Assembly



# TABLE OF CONTENTS

## 940 SERIES PUNCHES

3.0 .....	6
3.8 .....	6
4.6 .....	6
5.5 .....	7
6.4 .....	7
7.6 .....	7

## 940 SERIES PUNCH ASSEMBLIES AND HOLDERS

Round Punch Holder .....	8
SS10 Shank Punch Holder [Metric Mounting] .....	9
SS20 Shank Punch Holder [Metric Mounting] .....	10
SS20 Shank Punch Holder [Imperial Mounting] .....	11
SS25 Shank Punch Holder [Imperial Mounting] .....	12
SS30 Shank Punch Holder [Imperial Mounting] .....	13
THIN Punch Holder .....	14
THIN Punch Holder Urethane Strippers .....	15

## 940 SERIES TOG-L-LOC® DIES

MINI 3.0 .....	16
3.0 .....	17
MINI 3.8 .....	18
3.8 .....	19
MINI 4.6 .....	20
4.6 .....	21
MINI 5.5 .....	22
5.5 .....	23
MINI 6.4 .....	24
6.4 .....	25
MINI 7.6 .....	26
7.6 .....	27

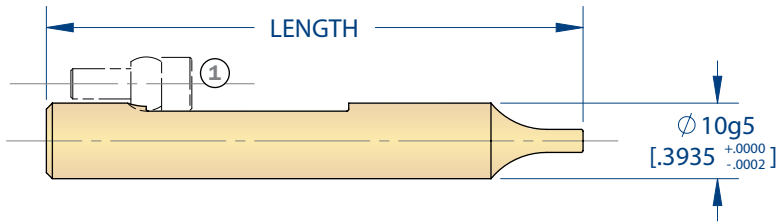
## 940 SERIES DIE HOLDERS

Style "A" Die Holder .....	28
Round Die Holder .....	28
THIN Die Holders .....	29

## USING 940 DIES

Mounting Information .....	30-31
----------------------------	-------

### 3.0 940 Series Punch



**Not Included**

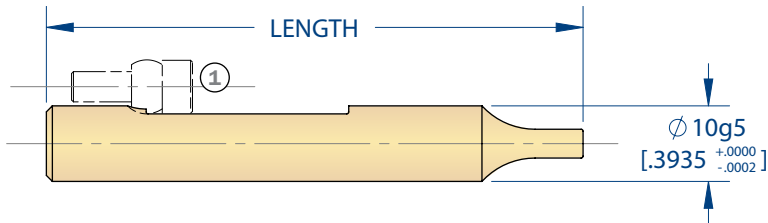
- ① One (1) Punch Retaining Screw Ass'y [BTM No. 018217]

	Length		Punch Tip Radius	
	mm	in	.010	.020
Preferred	71	[2.795]	713800A	713800E
	80	[3.150]	713800B	713800F
	90	[3.543]	713800C	713800G
	100	[3.937]	713800D	713800H

**Compatible Holder Styles**

- Die Set Mounting Round Holder ..... p.8
- Shank Mounting [SS10] ..... p.9
- [SS20] ..... p.10
- THIN Holder ..... p.14

### 3.8 940 Series Punch



**Not Included**

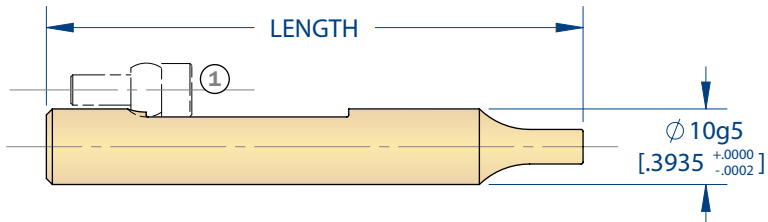
- ① One (1) Punch Retaining Screw Ass'y [BTM No. 018217]

	Length		Punch Tip Radius	
	mm	in	.010	.020
Preferred	71	[2.795]	793600A	793600B
	80	[3.150]	793600C	793600D
	90	[3.543]	793600E	793600F
	100	[3.937]	793600G	793600H

**Compatible Holder Styles**

- Die Set Mounting Round Holder ..... p.8
- Shank Mounting [SS10] ..... p.9
- [SS20] ..... p.10-11
- THIN Holder ..... p.14

### 4.6 940 Series Punch



**Not Included**

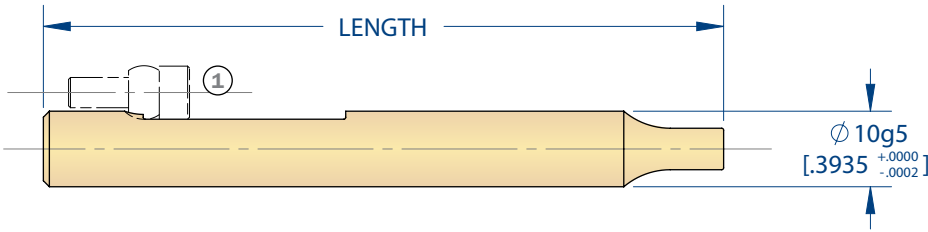
- ① One (1) Punch Retaining Screw Ass'y [BTM No. 018217]

	Length		Punch Tip Radius	
	mm	in	.010	.020
Preferred	71	[2.795]	713900A	713900E
	80	[3.150]	713900B	713900F
	90	[3.543]	713900C	713900G
	100	[3.937]	713900D	713900H

**Compatible Holder Styles**

- Die Set Mounting Round Holder ..... p.8
- Shank Mounting [SS10] ..... p.9
- Shank Mounting [SS20] ..... p.10-11
- THIN Holder ..... p.14

## 5.5 940 Series Punch



### Not Included

- ① One (1) Punch Retaining Screw Ass'y [BTM No. 018217]

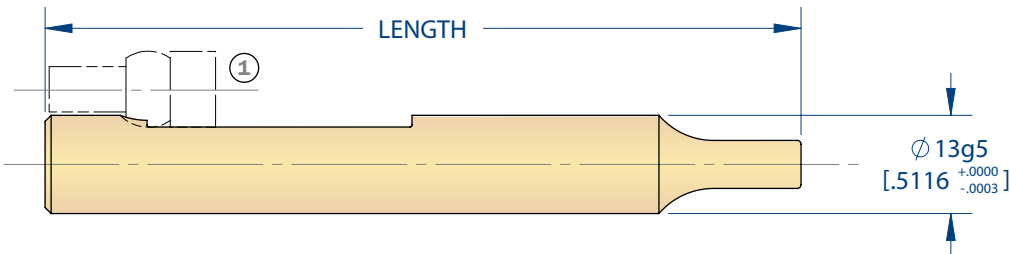
Length		Punch Tip Radius	
mm	in	.010	.020
71	[2.795]	739000A	739000B
80	[3.150]	739000C	739000D
90	[3.543]	739000E	739000F
100	[3.937]	739000G	739000H

Preferred

### Compatible Holder Styles

Die Set Mounting Round Holder	p.8
Shank Mounting [SS20]	p.10-11
[SS25]	p.12
THIN Holder	p.14

## 6.4 940 Series Punch



### Not Included

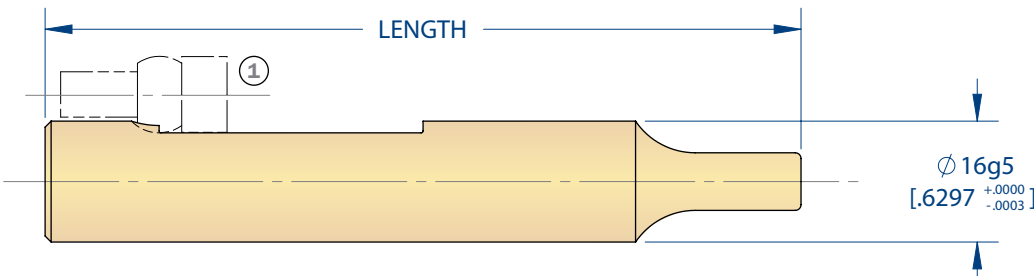
- ① One (1) Punch Retaining Screw Ass'y [BTM No. 023228]

Length		Punch Tip Radius	
mm	in	.010	.020
100	[3.937]	PD201200A	PD201200C
125	[4.921]	PD201200B	PD201200D

### Compatible Holder Styles

Die Set Mounting Round Holder	p.8
Shank Mounting [SS30]	p.13
THIN Holder	p.14

## 7.6 940 Series Punch

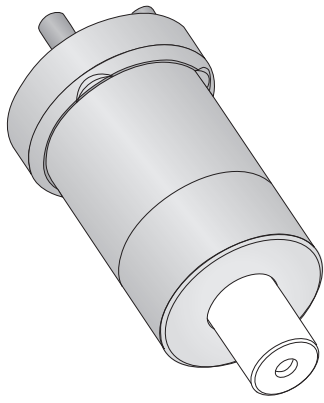


### Not Included

- ① One (1) Punch Retaining Screw Ass'y [BTM No. 023228]

Length		Punch Tip Radius	
mm	in	.020	.030
100	[3.937]	780100A	780100C
125	[4.921]	780100B	780100D

# Tog-L-Loc® 940 Series ROUND PUNCH HOLDER [Die Set Mounting]

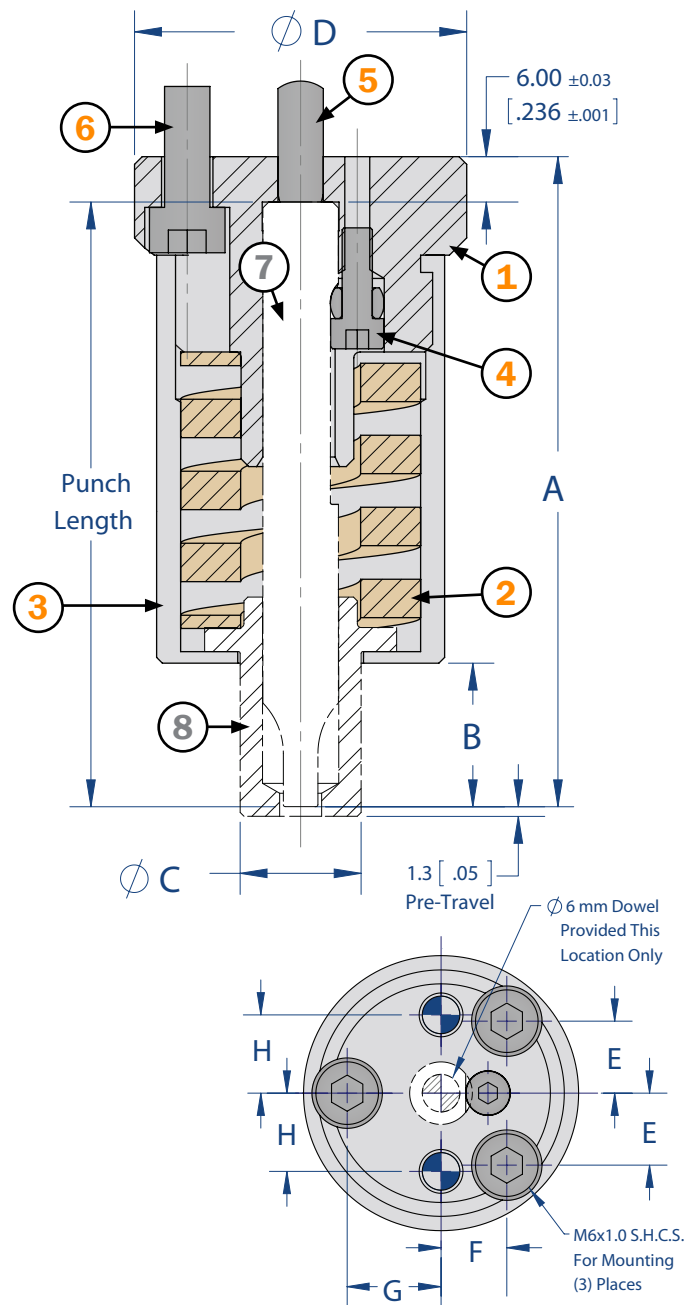


### ASSEMBLY INCLUDES:

- ① One (1) Punch Holder
  - ② One (1) Stripper Spring
  - ③ One (1) Stripper Can
  - ④ One (1) Punch Retaining Screw Ass'y
  - ⑤ One (1) Dowel Pin
  - ⑥ Three (3) Mounting Screws
- NOT INCLUDED [EXCEPT 5.5 & 6.4 ASSEMBLIES]**
- ⑦ One (1) Tog-L-Loc® Punch [see p. 6-7]
  - ⑧ One (1) Stripper tip [see chart]

Tooling	Punch Length	A	B	C	D
3.0	71 [2.795"]	77.0 [3.031"]	10.0 [.39"]	Ø12.0 [.47"]	Ø44 [1.73"]
	80 [3.150"]	86.0 [3.386"]	19.0 [.75"]		
	90 [3.543"]	96.0 [3.780"]	29.0 [1.14"]		
	100 [3.937"]	106.0 [4.173"]	39.0 [1.54"]		
3.8	71 [2.795"]	77.0 [3.031"]	10.0 [.39"]	Ø14.0 [.55"]	Ø44 [1.73"]
	80 [3.150"]	86.0 [3.386"]	19.0 [.75"]		
	90 [3.543"]	96.0 [3.780"]	29.0 [1.14"]		
	100 [3.937"]	106.0 [4.173"]	39.0 [1.54"]		
4.6	71 [2.795"]	77.0 [3.031"]	10.0 [.39"]	Ø16.0 [.63"]	Ø44 [1.73"]
	80 [3.150"]	86.0 [3.386"]	19.0 [.75"]		
	90 [3.543"]	96.0 [3.780"]	29.0 [1.14"]		
	100 [3.937"]	106.0 [4.173"]	39.0 [1.54"]		
5.5	90 [3.543"]	96.0 [3.780"]	17.0 [.67"]	Ø19.0 [.75"]	Ø44 [1.73"]
	100 [3.937"]	106.0 [4.173"]	27.0 [1.06"]		
6.4	100 [3.937"]	106.0 [4.173"]	12.0 [.47"]	Ø22.0 [.87"]	Ø57 [2.25"]
	125 [4.921"]	131.0 [5.157"]	37.0 [1.46"]		

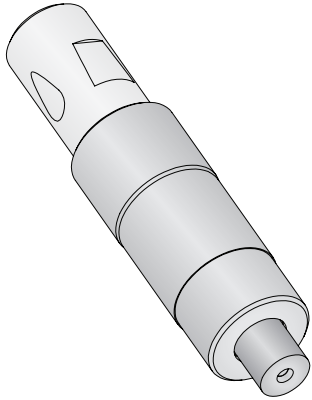
	E	F	G	H
3.0	11.5 [.453"]	10.5 [.413"]	15.0 [.591"]	12.500 [.4921"]
3.8	11.5 [.453"]	10.5 [.413"]	15.0 [.591"]	12.500 [.4921"]
4.6	11.5 [.453"]	10.5 [.413"]	15.0 [.591"]	12.500 [.4921"]
5.5	11.5 [.453"]	10.5 [.413"]	15.0 [.591"]	12.500 [.4921"]
6.4	14.5 [.571"]	13.0 [.512"]	19.5 [.768"]	19.500 [.7677"]



		ORDERING INFORMATION									
Tool Size	Assembly Type	Punch Length									
		71mm [2.795"]	80mm [3.150"]	90mm [3.543"]	100mm [3.937"]	125mm [4.921"]					
3.0	SS20 Ass'y	.010 PTR	.020 PTR	.010 PTR	.020 PTR	.010 PTR	.020 PTR	.010 PTR	.020 PTR	N/A	
		PD379500A	PD379500B	PD379500C	PD379500D	PD379500E	PD379500F	PD379500G	PD379500H		
3.8	SS20 Ass'y	.010 PTR	.020 PTR	.010 PTR	.020 PTR	.010 PTR	.020 PTR	.010 PTR	.020 PTR	N/A	
		PD382600A	PD382600B	PD382600C	PD382600D	PD382600E	PD382600F	PD382600G	PD382600H		
4.6	SS20 Ass'y	.010 PTR	.020 PTR	.010 PTR	.020 PTR	.010 PTR	.020 PTR	.010 PTR	.020 PTR	N/A	
		PD379600A	PD379600B	PD379600C	PD379600D	PD379600E	PD379600F	PD379600G	PD379600H		
5.5	SS25 Ass'y	N/A		N/A		.010 PTR	.020 PTR	.010 PTR	.020 PTR	N/A	
						PD241800A	PD241800B	PD241800C	PD241800D		
6.4	SS30 Ass'y	N/A		N/A		N/A		.010 PTR	.020 PTR	.010 PTR	.020 PTR
								PD214400A	PD214400C	PD214400B	PD214400D

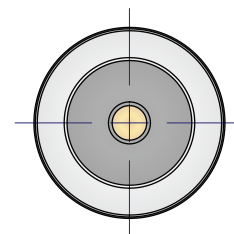
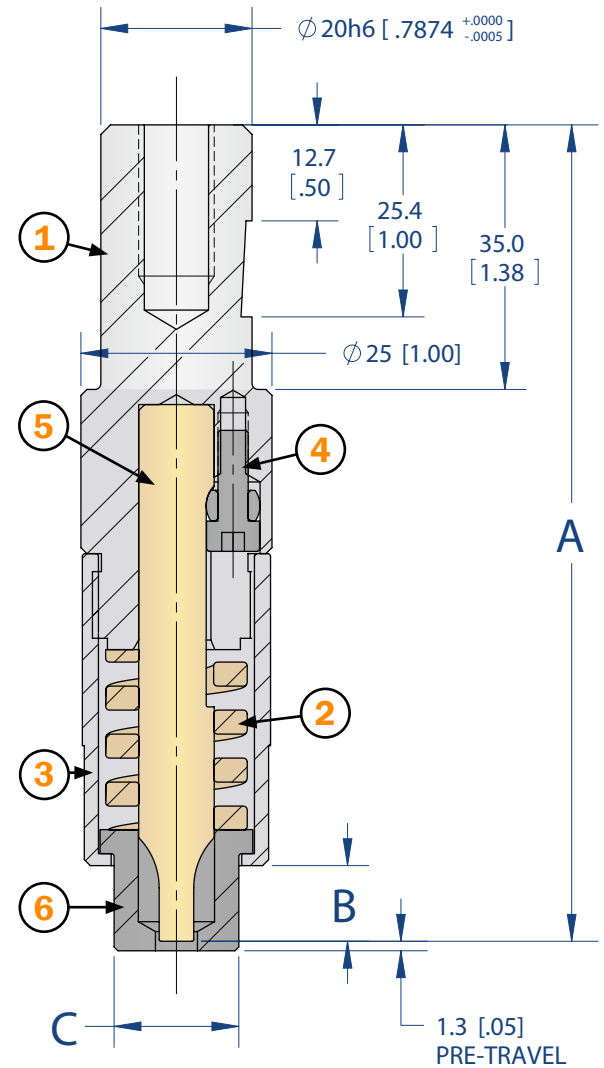
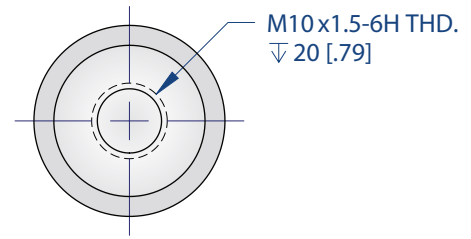
PTR = Punch Tip Radius





**ASSEMBLY INCLUDES:**

- ① One (1) Punch Holder
- ② One (1) Stripper Spring
- ③ One (1) Stripper Can
- ④ One (1) Punch Retaining Screw Assembly
- ⑤ One (1) 940 Tog-L-Loc® Punch
- ⑥ One (1) Stripper Tip



**3.0 Tooling**

Punch Length	PTR	A	B	C	BTM Order No.
71 [2.795"]	.010	108 [4.252"]	Ø10.0 [.39"]	Ø12.0 [.47"]	787700J
	.020	108 [4.252"]	Ø10.0 [.39"]	Ø12.0 [.47"]	787700K
80 [3.150"]	.010	117 [4.606"]	Ø19.0 [.75"]	Ø12.0 [.47"]	787700L
	.020	117 [4.606"]	Ø19.0 [.75"]	Ø12.0 [.47"]	787700M
90 [3.543"]	.010	127 [5.000"]	Ø29.0 [1.14"]	Ø12.0 [.47"]	787700N
	.020	127 [5.000"]	Ø29.0 [1.14"]	Ø12.0 [.47"]	787700P
100 [3.937"]	.010	137 [5.394"]	Ø39.0 [1.54"]	Ø12.0 [.47"]	787700R
	.020	137 [5.394"]	Ø39.0 [1.54"]	Ø12.0 [.47"]	787700S

PTR = Punch Tip Radius

**3.8 Tooling**

Punch Length	PTR	A	B	C	BTM Order No.
71 [2.795"]	.010	108 [4.252"]	Ø10.0 [.39"]	Ø16.5 [.65"]	PD237700A
	.020	108 [4.252"]	Ø10.0 [.39"]	Ø16.5 [.65"]	PD237700B
80 [3.150"]	.010	117 [4.606"]	Ø19.0 [.75"]	Ø16.5 [.65"]	PD237700C
	.020	117 [4.606"]	Ø19.0 [.75"]	Ø16.5 [.65"]	PD237700D
90 [3.543"]	.010	127 [5.000"]	Ø29.0 [1.14"]	Ø16.5 [.65"]	PD237700E
	.020	127 [5.000"]	Ø29.0 [1.14"]	Ø16.5 [.65"]	PD237700F
100 [3.937"]	.010	137 [5.394"]	Ø39.0 [1.54"]	Ø16.5 [.65"]	PD237700G
	.020	137 [5.394"]	Ø39.0 [1.54"]	Ø16.5 [.65"]	PD237700H

PTR = Punch Tip Radius

**4.6 Tooling**

Punch Length	PTR	A	B	C	BTM Order No.
71 [2.795"]	.010	108 [4.252"]	Ø10.0 [.39"]	Ø16.5 [.65"]	787700A
	.020	108 [4.252"]	Ø10.0 [.39"]	Ø16.5 [.65"]	787700B
80 [3.150"]	.010	117 [4.606"]	Ø19.0 [.75"]	Ø16.5 [.65"]	787700C
	.020	117 [4.606"]	Ø19.0 [.75"]	Ø16.5 [.65"]	787700D
90 [3.543"]	.010	127 [5.000"]	Ø29.0 [1.14"]	Ø16.5 [.65"]	787700E
	.020	127 [5.000"]	Ø29.0 [1.14"]	Ø16.5 [.65"]	787700F
100 [3.937"]	.010	137 [5.394"]	Ø39.0 [1.54"]	Ø16.5 [.65"]	787700G
	.020	137 [5.394"]	Ø39.0 [1.54"]	Ø16.5 [.65"]	787700H

PTR = Punch Tip Radius

### 3.0 Tooling

Punch Length	PTR	A	B	C	BTM Order No.
71 [2.795"]	.010	108 [4.252"]	Ø10.0 [.39"]	Ø12.0 [.47"]	022516
	.020	108 [4.252"]	Ø10.0 [.39"]	Ø12.0 [.47"]	022517
80 [3.150"]	.010	117 [4.606"]	Ø19.0 [.75"]	Ø12.0 [.47"]	022518
	.020	117 [4.606"]	Ø19.0 [.75"]	Ø12.0 [.47"]	022519
90 [3.543"]	.010	127 [5.000"]	Ø29.0 [1.14"]	Ø12.0 [.47"]	022520
	.020	127 [5.000"]	Ø29.0 [1.14"]	Ø12.0 [.47"]	022521
100 [3.937"]	.010	137 [5.394"]	Ø39.0 [1.54"]	Ø12.0 [.47"]	022522
	.020	137 [5.394"]	Ø39.0 [1.54"]	Ø12.0 [.47"]	022523

PTR = Punch Tip Radius

### 3.8 Tooling

Punch Length	PTR	A	B	C	BTM Order No.
71 [2.795"]	.010	108 [4.252"]	Ø10.0 [.39"]	Ø14.0 [.55"]	793900K
	.020	108 [4.252"]	Ø10.0 [.39"]	Ø14.0 [.55"]	793900L
80 [3.150"]	.010	117 [4.606"]	Ø19.0 [.75"]	Ø14.0 [.55"]	793900M
	.020	117 [4.606"]	Ø19.0 [.75"]	Ø14.0 [.55"]	793900N
90 [3.543"]	.010	127 [5.000"]	Ø29.0 [1.14"]	Ø14.0 [.55"]	793900P
	.020	127 [5.000"]	Ø29.0 [1.14"]	Ø14.0 [.55"]	793900R
100 [3.937"]	.010	137 [5.394"]	Ø39.0 [1.54"]	Ø14.0 [.55"]	793900S
	.020	137 [5.394"]	Ø39.0 [1.54"]	Ø14.0 [.55"]	793900T

PTR = Punch Tip Radius

### 4.6 Tooling

Punch Length	PTR	A	B	C	BTM Order No.
71 [2.795"]	.010	108 [4.252"]	Ø10.0 [.39"]	Ø16.0 [.63"]	018925
	.020	108 [4.252"]	Ø10.0 [.39"]	Ø16.0 [.63"]	018926
80 [3.150"]	.010	117 [4.606"]	Ø19.0 [.75"]	Ø16.0 [.63"]	018927
	.020	117 [4.606"]	Ø19.0 [.75"]	Ø16.0 [.63"]	018928
90 [3.543"]	.010	127 [5.000"]	Ø29.0 [1.14"]	Ø16.0 [.63"]	018929
	.020	127 [5.000"]	Ø29.0 [1.14"]	Ø16.0 [.63"]	018930
100 [3.937"]	.010	137 [5.394"]	Ø39.0 [1.54"]	Ø16.0 [.63"]	018931
	.020	137 [5.394"]	Ø39.0 [1.54"]	Ø16.0 [.63"]	018932

PTR = Punch Tip Radius

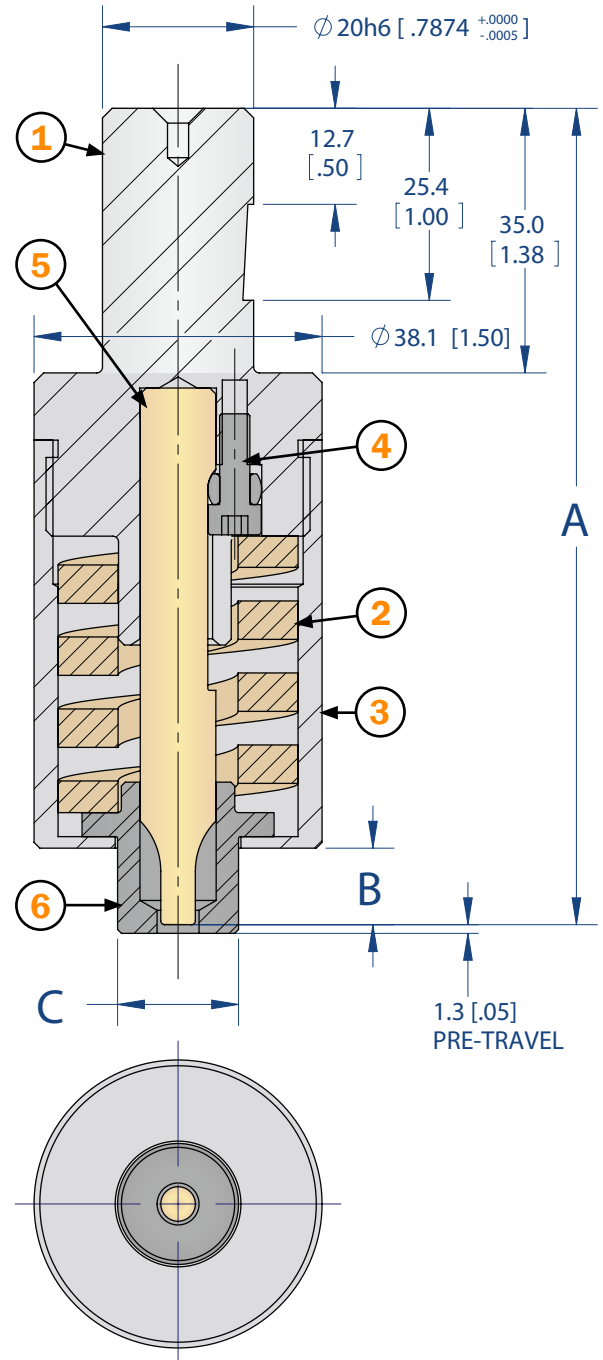
### 5.5 Tooling

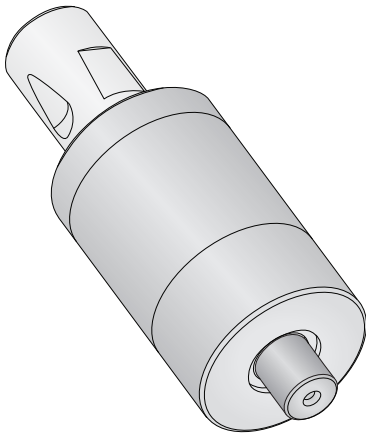
Punch Length	PTR	A	B	C	BTM Order No.
71 [2.795"]	.010	108 [4.252"]	Ø10.0 [.39"]	Ø19.0 [.75"]	PD244200A
	.020	108 [4.252"]	Ø10.0 [.39"]	Ø19.0 [.75"]	PD244200B
80 [3.150"]	.010	117 [4.606"]	Ø19.0 [.75"]	Ø19.0 [.75"]	PD244200C
	.020	117 [4.606"]	Ø19.0 [.75"]	Ø19.0 [.75"]	PD244200D
90 [3.543"]	.010	127 [5.000"]	Ø29.0 [1.14"]	Ø19.0 [.75"]	PD244200E
	.020	127 [5.000"]	Ø29.0 [1.14"]	Ø19.0 [.75"]	PD244200F
100 [3.937"]	.010	137 [5.394"]	Ø39.0 [1.54"]	Ø19.0 [.75"]	PD244200G
	.020	137 [5.394"]	Ø39.0 [1.54"]	Ø19.0 [.75"]	PD244200H

PTR = Punch Tip Radius

#### ASSEMBLY INCLUDES:

- ① One (1) Punch Holder
- ② One (1) Stripper Spring
- ③ One (1) Stripper Can
- ④ One (1) Punch Retaining Screw Assembly
- ⑤ One (1) Tog-L-Loc® Punch
- ⑥ One (1) Stripper Tip





**ASSEMBLY INCLUDES:**

- ① One (1) Punch Holder
- ② One (1) Stripper Spring
- ③ One (1) Stripper Can
- ④ One (1) Punch Retaining Screw Assembly
- ⑤ One (1) Tog-L-Loc® Punch
- ⑥ One (1) Stripper Tip

**3.8 Tooling**

Punch Length	PTR	A	B	C	Order No.
71 [2.795"]	.010	108 [4.252"]	Ø10.0 [.39"]	Ø14.0 [.55"]	793900A
	.020	108 [4.252"]	Ø10.0 [.39"]	Ø14.0 [.55"]	793900B
80 [3.150"]	.010	117 [4.606"]	Ø19.0 [.75"]	Ø14.0 [.55"]	793900C
	.020	117 [4.606"]	Ø19.0 [.75"]	Ø14.0 [.55"]	793900D
90 [3.543"]	.010	127 [5.000"]	Ø29.0 [1.14"]	Ø14.0 [.55"]	793900E
	.020	127 [5.000"]	Ø29.0 [1.14"]	Ø14.0 [.55"]	793900F
100 [3.937"]	.010	137 [5.394"]	Ø39.0 [1.54"]	Ø14.0 [.55"]	793900G
	.020	137 [5.394"]	Ø39.0 [1.54"]	Ø14.0 [.55"]	793900H

PTR = Punch Tip Radius

**4.6 Tooling**

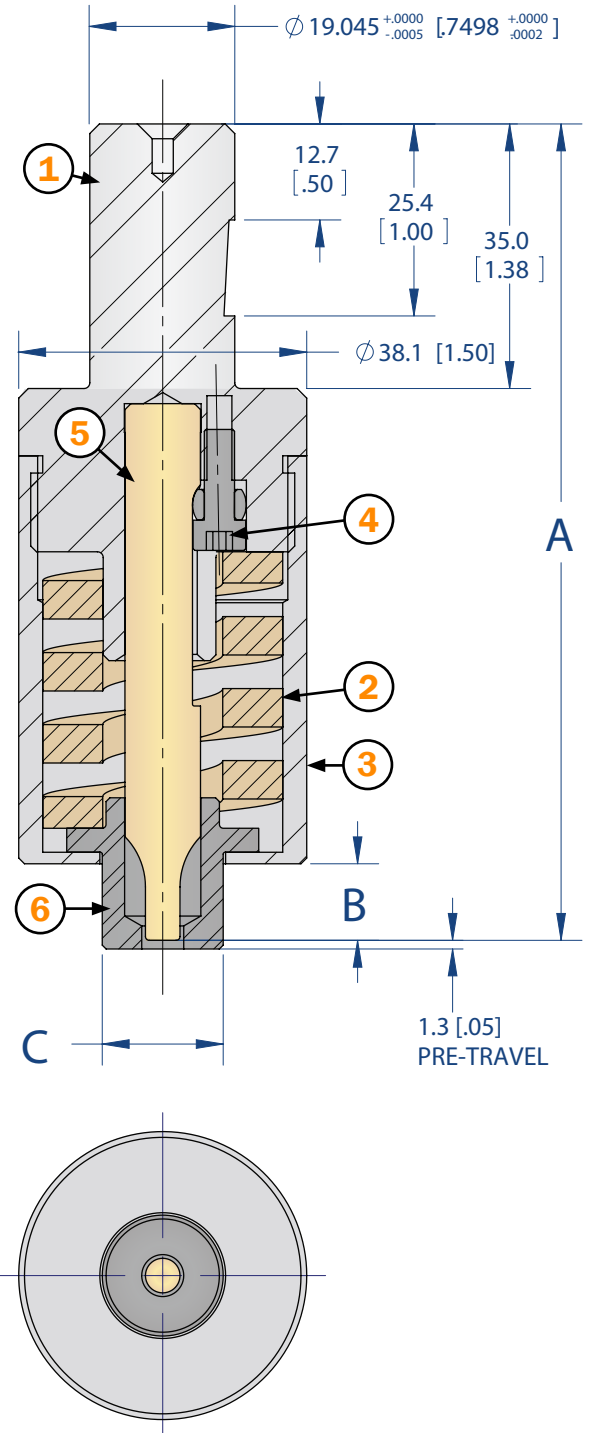
Punch Length	PTR	A	B	C	Order No.
71 [2.795"]	.010	108 [4.252"]	Ø10.0 [.39"]	Ø16.0 [.63"]	018855
	.020	108 [4.252"]	Ø10.0 [.39"]	Ø16.0 [.63"]	018856
80 [3.150"]	.010	117 [4.606"]	Ø19.0 [.75"]	Ø16.0 [.63"]	018857
	.020	117 [4.606"]	Ø19.0 [.75"]	Ø16.0 [.63"]	018858
90 [3.543"]	.010	127 [5.000"]	Ø29.0 [1.14"]	Ø16.0 [.63"]	018859
	.020	127 [5.000"]	Ø29.0 [1.14"]	Ø16.0 [.63"]	018860
100 [3.937"]	.010	137 [5.394"]	Ø39.0 [1.54"]	Ø16.0 [.63"]	018861
	.020	137 [5.394"]	Ø39.0 [1.54"]	Ø16.0 [.63"]	018862

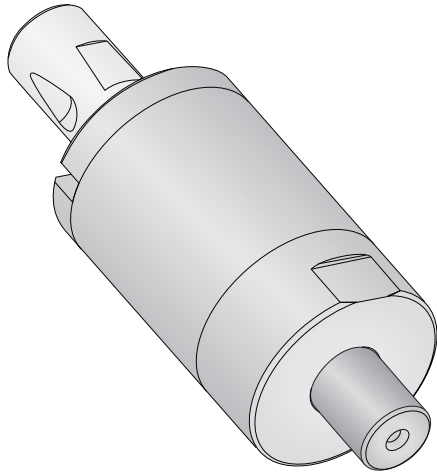
PTR = Punch Tip Radius

**5.5 Tooling**

Punch Length	PTR	A	B	C	Order No.
71 [2.795"]	.010	108 [4.252"]	Ø10.0 [.39"]	Ø19.0 [.75"]	PD241400A
	.020	108 [4.252"]	Ø10.0 [.39"]	Ø19.0 [.75"]	PD241400B
80 [3.150"]	.010	117 [4.606"]	Ø19.0 [.75"]	Ø19.0 [.75"]	PD241400C
	.020	117 [4.606"]	Ø19.0 [.75"]	Ø19.0 [.75"]	PD241400D
90 [3.543"]	.010	127 [5.000"]	Ø29.0 [1.14"]	Ø19.0 [.75"]	PD241400E
	.020	127 [5.000"]	Ø29.0 [1.14"]	Ø19.0 [.75"]	PD241400F
100 [3.937"]	.010	137 [5.394"]	Ø39.0 [1.54"]	Ø19.0 [.75"]	PD241400G
	.020	137 [5.394"]	Ø39.0 [1.54"]	Ø19.0 [.75"]	PD241400H

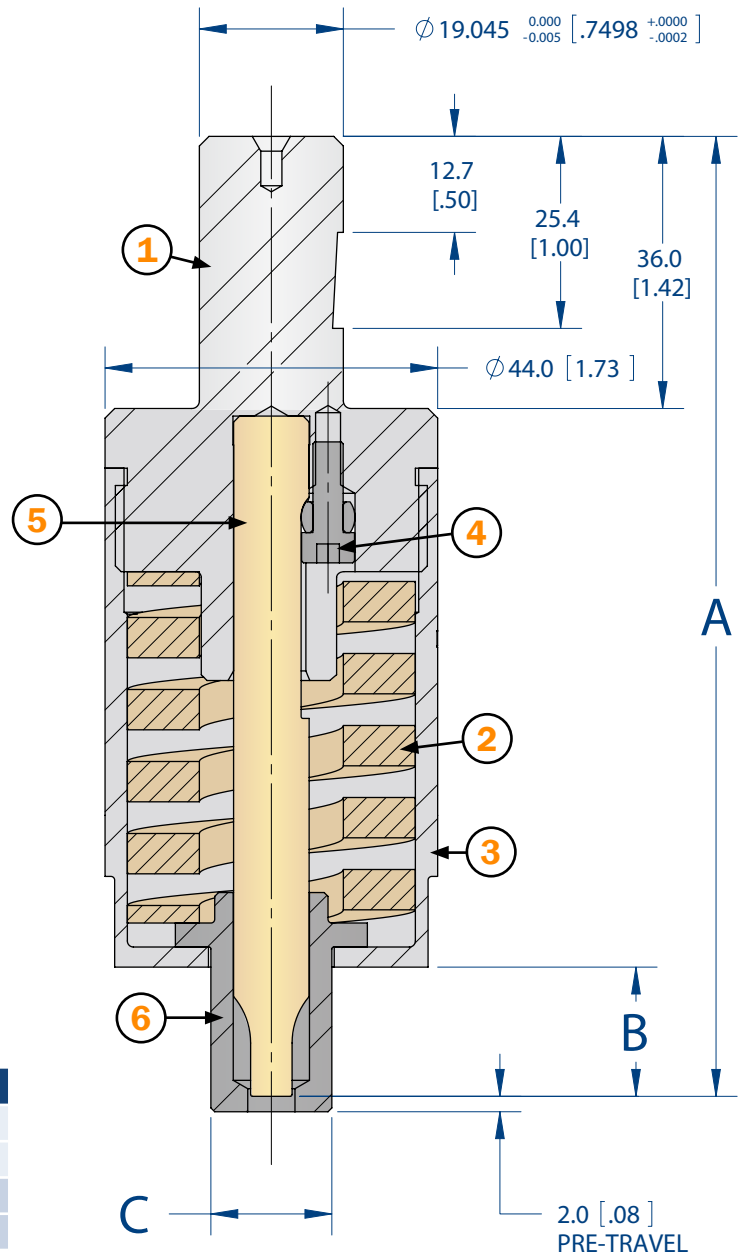
PTR = Punch Tip Radius





**ASSEMBLY INCLUDES:**

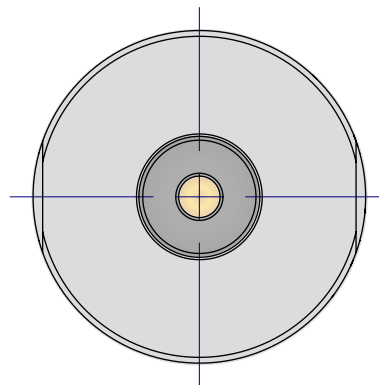
- ① One (1) Punch Holder
- ② One (1) Stripper Spring
- ③ One (1) Stripper Can
- ④ One (1) Punch Retaining Screw Assembly
- ⑤ One (1) Tog-L-Loc® Punch
- ⑥ One (1) Stripper Tip

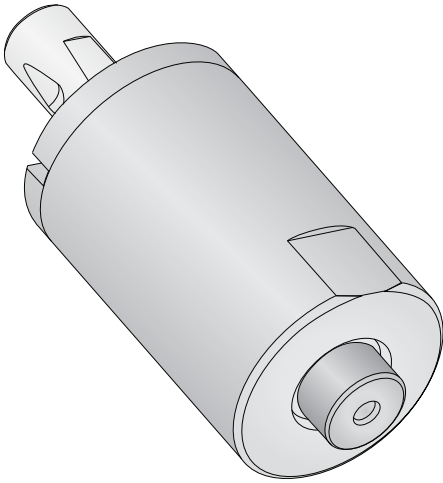


**5.5 Tooling**

Punch	PTR	A	B	C	Order No.
90	.010	127 [5.000"]	17 [.67"]	$\varnothing 19.0$ [.75"]	PD244400A
[3.543"]	.020	127 [5.000"]	17 [.67"]	$\varnothing 19.0$ [.75"]	PD244400B
100	.010	137 [5.394"]	27 [1.07"]	$\varnothing 19.0$ [.75"]	PD244400C
[3.937"]	.020	137 [5.394"]	27 [1.07"]	$\varnothing 19.0$ [.75"]	PD244400D

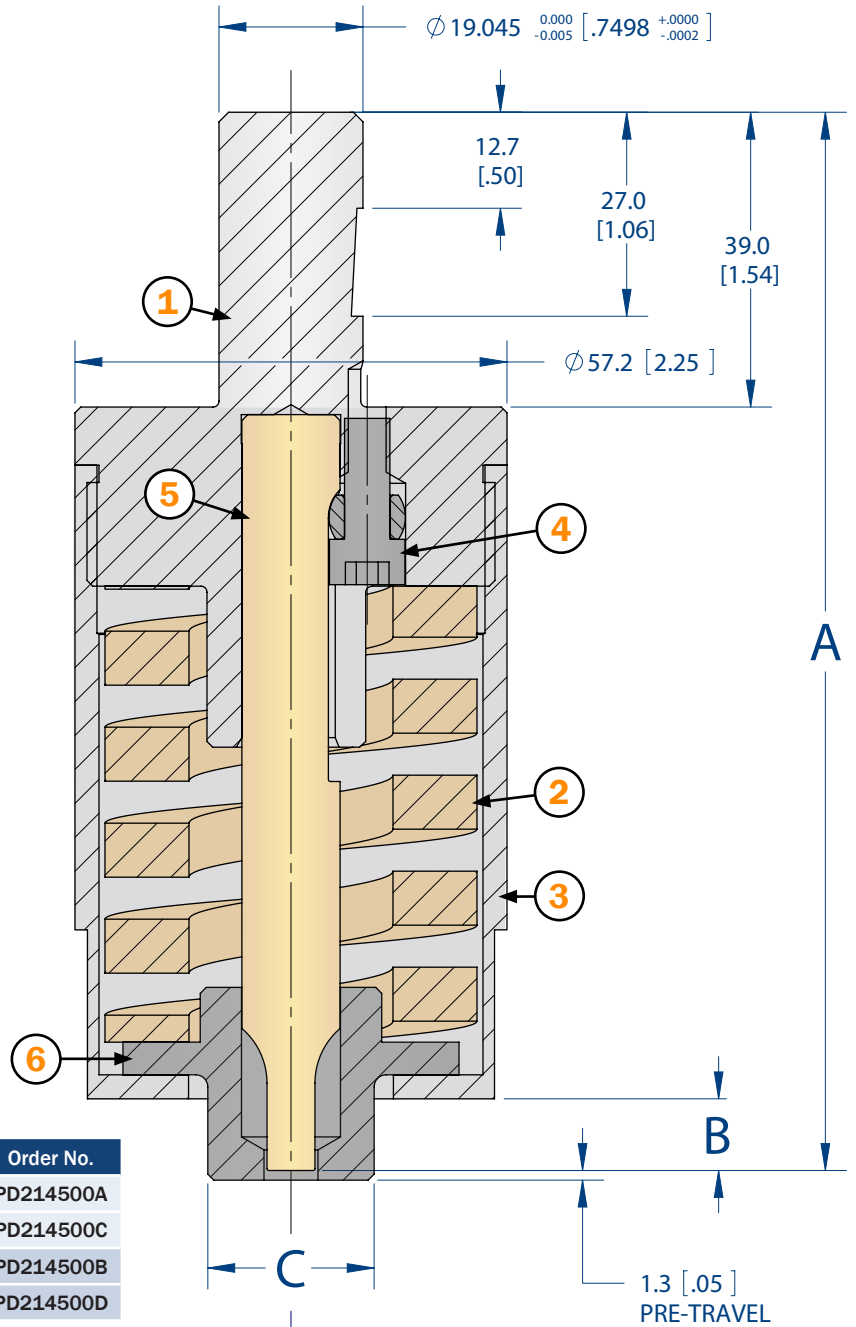
**PTR = Punch Tip Radius**





**ASSEMBLY INCLUDES:**

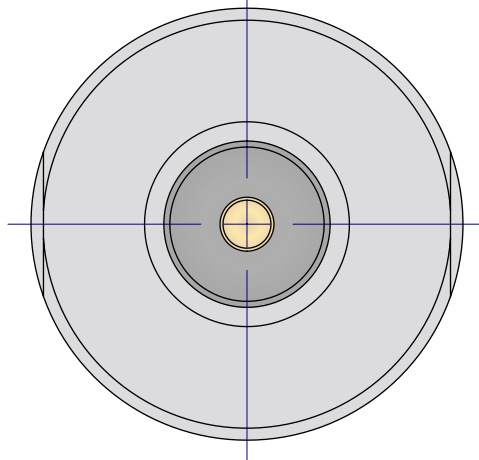
- ① One (1) Punch Holder
- ② One (1) Stripper Spring
- ③ One (1) Stripper Can
- ④ One (1) Punch Retaining Screw Assembly
- ⑤ One (1) Tog-L-Loc® Punch
- ⑥ One (1) Stripper Tip



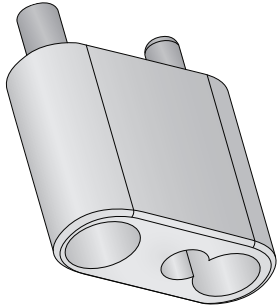
**6.4 Tooling**

Punch	PTR	A	B	C	Order No.
100	.010	140 [5.512"]	9.5 [.37"]	$\phi 22.0$ [.87"]	PD214500A
[3.937"]	.020	140 [5.512"]	9.5 [.37"]	$\phi 22.0$ [.87"]	PD214500C
125	.010	165 [6.496"]	34.5 [1.36"]	$\phi 22.0$ [.87"]	PD214500B
[4.921"]	.020	165 [6.496"]	34.5 [1.36"]	$\phi 22.0$ [.87"]	PD214500D

PTR = Punch Tip Radius



# Tog-L-Loc® 940 Series THIN PUNCH HOLDER

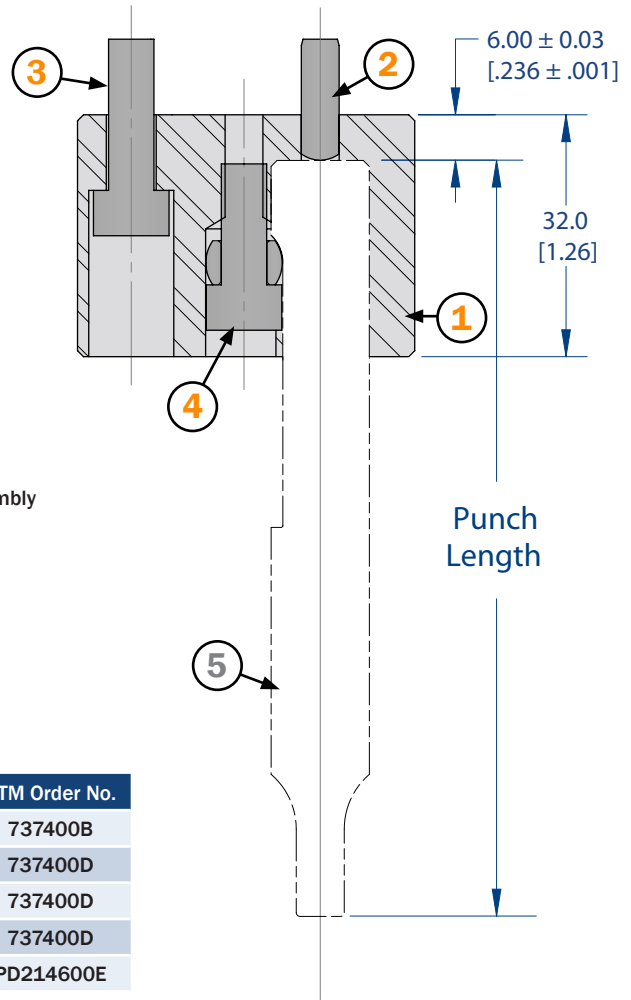


### ASSEMBLY INCLUDES:

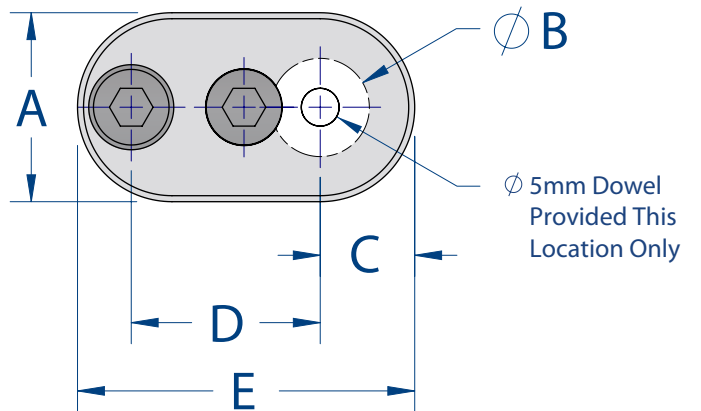
- ① One (1) Punch Holder
- ② One (1) Dowel Pin
- ③ One (1) Mounting Screw
- ④ One (1) Punch Retaining Screw Assembly

### NOT INCLUDED

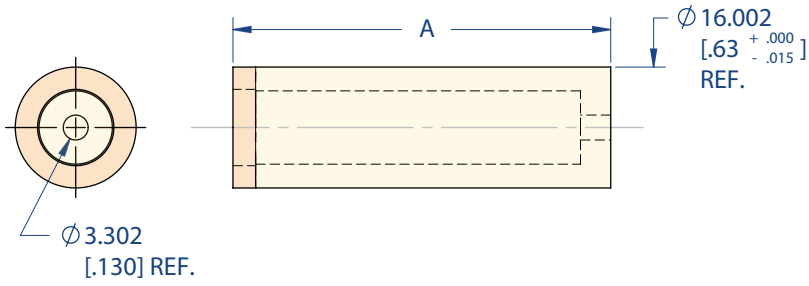
- ⑤ One (1) Tog-L-Loc® Punch [see p. 6-7]
- One (1) Urethane Stripper [see p.15]



Tool	A	B	C	D	E	BTM Order No.
3.0	15.0 [.59"]	Ø10H6	7.5 [.30"]	22.50 [.886"]	37.0 [1.46"]	737400B
3.8	15.0 [.59"]	Ø10H6	7.5 [.30"]	22.50 [.886"]	37.0 [1.46"]	737400D
4.6	15.0 [.59"]	Ø10H6	7.5 [.30"]	22.50 [.886"]	37.0 [1.46"]	737400D
5.5	15.0 [.59"]	Ø10H6	7.5 [.30"]	22.50 [.886"]	37.0 [1.46"]	737400D
6.4	25.0 [.98"]	Ø13H6	12.5 [.49"]	25.00 [.984"]	44.5 [1.75"]	PD214600E

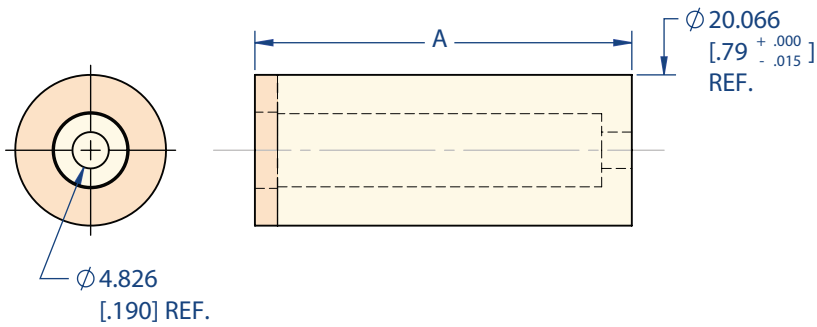


\*\*\* NOTE: Urethane Strippers are intended for low volume applications \*\*\*



### 3.0 Tooling

Punch Length	A	Order No.
71 [2.795"]	50.013 [1.969"]	737413B
80 [3.150"]	59.004 [2.323"]	737414B
90 [3.543"]	69.012 [2.717"]	737415B
100 [3.937"]	78.994 [3.110"]	737416B

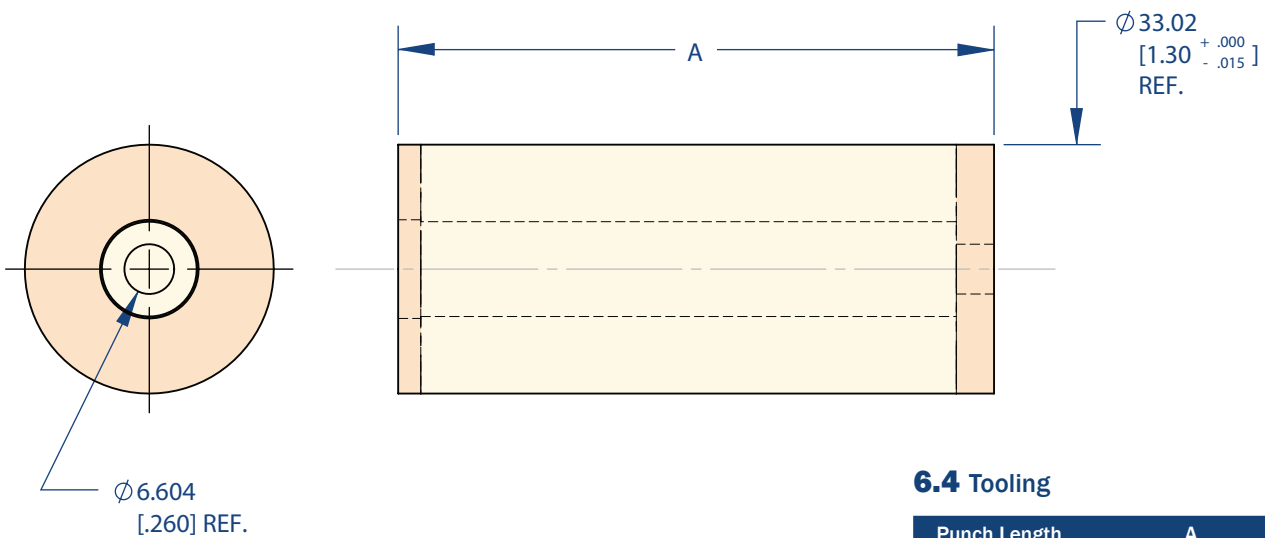


### 3.8 & 4.6 Tooling

Punch Length	A	Order No.
71 [2.795"]	50.013 [1.969"]	737404D
80 [3.150"]	59.004 [2.323"]	737405D
90 [3.543"]	69.012 [2.717"]	737406D
100 [3.937"]	78.994 [3.110"]	737407D

### 5.5 Tooling

Punch Length	A	Order No.
71 [2.795"]	50.013 [1.969"]	737403G
80 [3.150"]	59.004 [2.323"]	737404G
90 [3.543"]	69.012 [2.717"]	737405G
100 [3.937"]	78.994 [3.110"]	737406G



### 6.4 Tooling

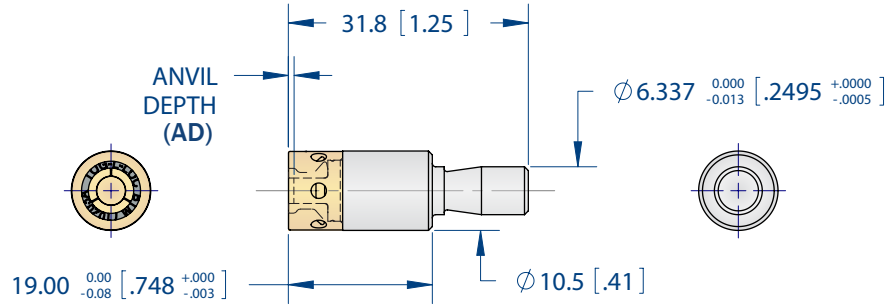
Punch Length	A	Order No.
100 [3.937"]	78.994 [3.110"]	737406F
125 [4.921"]	103.988 [4.094"]	737407F

### 3.0 Tog-L-Loc® 940 Series “MINI” DIES

“Mini” dies are used when joining minimum flange widths and total material thickness permits joining with the maximum allowable button dimension (BD). Maximum BD for each mini die is stated.

#### “Mini” Style “A” die

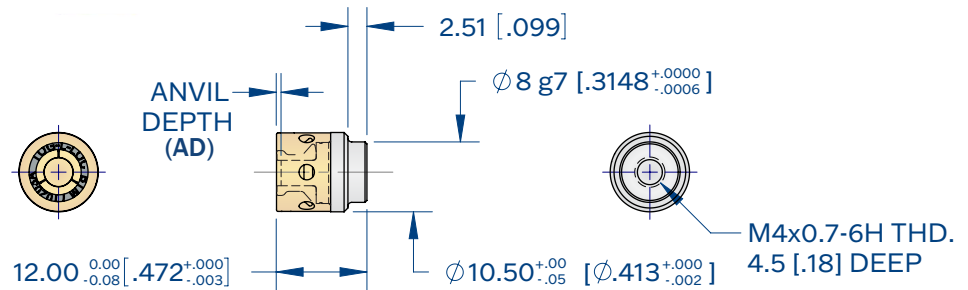
AD	Standard
.020	710200BE
.025	710200CE
.030	710200DE
.035	710200EE
.040	710200FE



Contact BTM for maximum total material thickness this die can join.  
Maximum Button Diameter (BD) for this die is Ø4.95 [.195]

#### “Mini” Stepped Short Insert (SSI) die

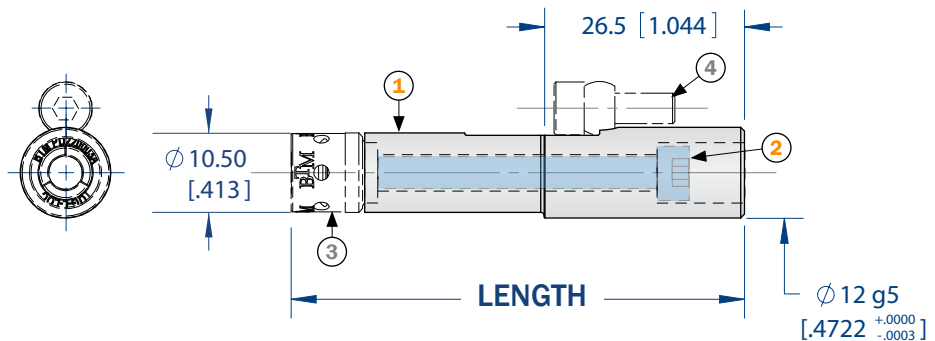
AD	Standard
.020	751800BE
.025	751800CE
.030	751800DE
.035	751800EE
.040	751800FE



Contact BTM for maximum total material thickness this die can join.  
Maximum Button Diameter (BD) for this die is Ø4.95 [.195]

#### “Mini” SSI Die Extensions

Length	Extension
40mm	PD220200A
60mm	PD220200B
80mm	PD220200C
100mm	PD220200D



#### ASSEMBLY INCLUDES:

- ① One (1) Extension
- ② One (1) Die Retaining Screw

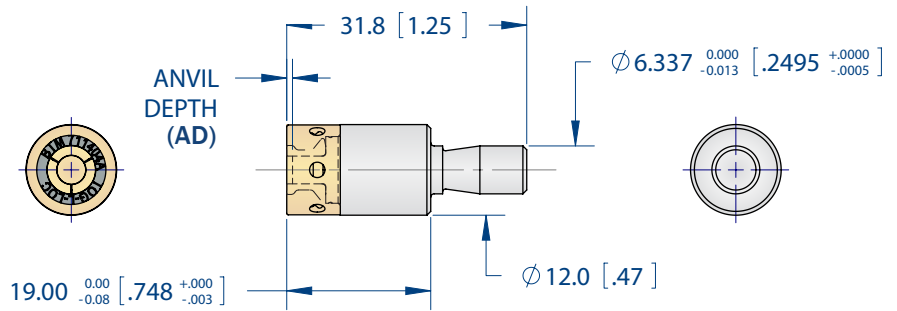
#### NOT INCLUDED:

- ③ One (1) 3.0 “MINI” SSI Tog-L-Loc® Die
- ④ One (1) 940 Retaining Screw [BTM No. 018217]



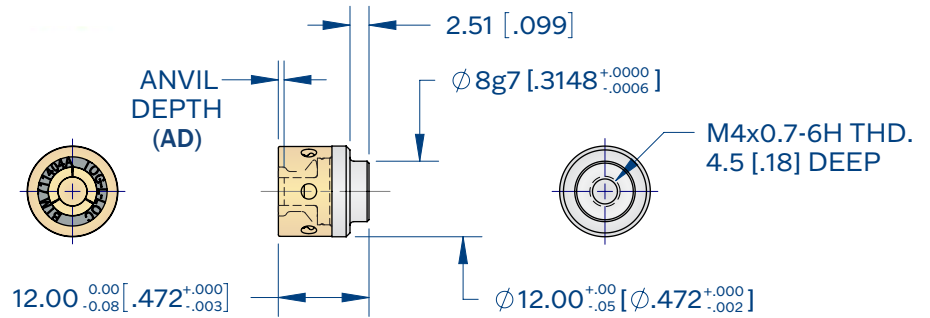
Style "A" die

AD	Standard
.020	718200BE
.025	718200CE
.030	718200DE
.035	718200EE
.040	718200FE
.045	718200GE
.050	718200HE



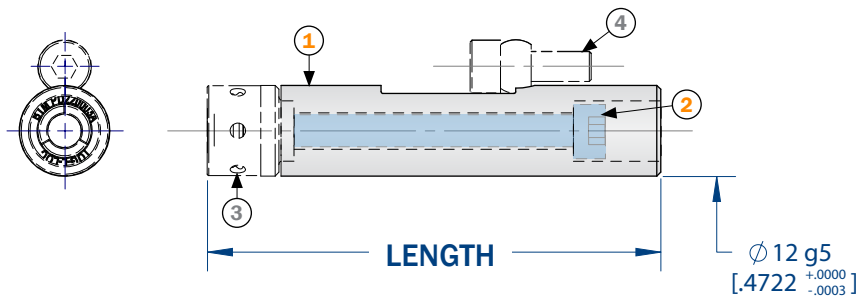
Stepped Short Insert (SSI) die

AD	Standard
.020	751000BE
.025	751000CE
.030	751000DE
.035	751000EE
.040	751000FE
.045	751000GE
.050	751000HE



SSI Die Extensions

Length	Extension
40mm	PD220300A
60mm	PD220300B
80mm	PD220300C
100mm	PD220300D



ASSEMBLY INCLUDES:

- ① One (1) Extension
- ② One (1) Die Retaining Screw

NOT INCLUDED:

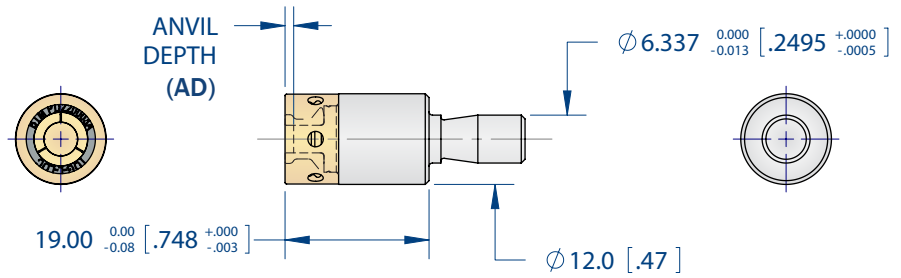
- ③ One (1) 3.0 SSI Tog-L-Loc® Die
- ④ One (1) 940 Retaining Screw [BTM No. 018217]

### 3.8 Tog-L-Loc® 940 Series “MINI” DIES

“Mini” dies are used when joining minimum flange widths and total material thickness permits joining with the maximum allowable button dimension (BD). Maximum BD for each mini die is stated.

#### “Mini” Style “A” die

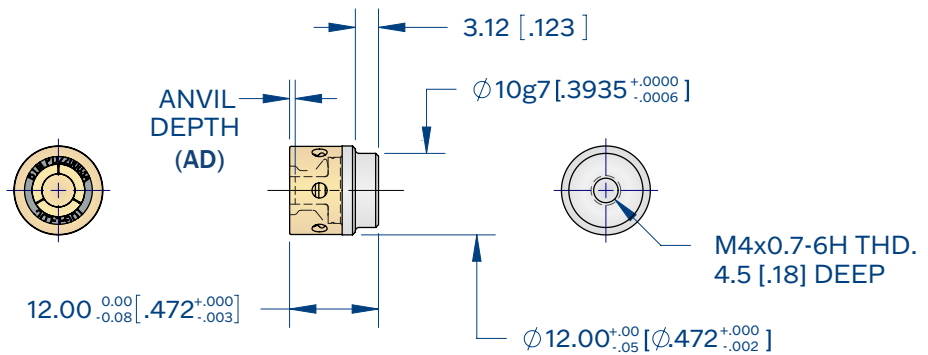
AD	Standard
.020	PD220800BE
.025	PD220800CE
.030	PD220800DE
.035	PD220800EE
.040	PD220800FE
.045	PD220800GE
.050	PD220800HE



Contact BTM for maximum total material thickness this die can join.  
Maximum Button Diameter (BD) for this die is Ø6.1 [.240]

#### “Mini” Stepped Short Insert (SSI) die

AD	Standard
.020	PD220000BE
.025	PD220000CE
.030	PD220000DE
.035	PD220000EE
.040	PD220000FE
.045	PD220000GE
.050	PD220000HE



Contact BTM for maximum total material thickness this die can join.  
Maximum Button Diameter (BD) for this die is Ø6.1 [.240]

#### “Mini” SSI Die Extensions

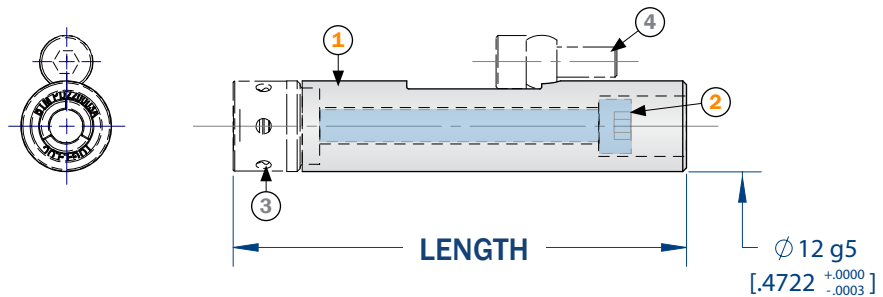
Length	Extension
40mm	PD220400A
60mm	PD220400B
80mm	PD220400C
100mm	PD220400D

#### ASSEMBLY INCLUDES:

- ① One (1) Extension
- ② One (1) Die Retaining Screw

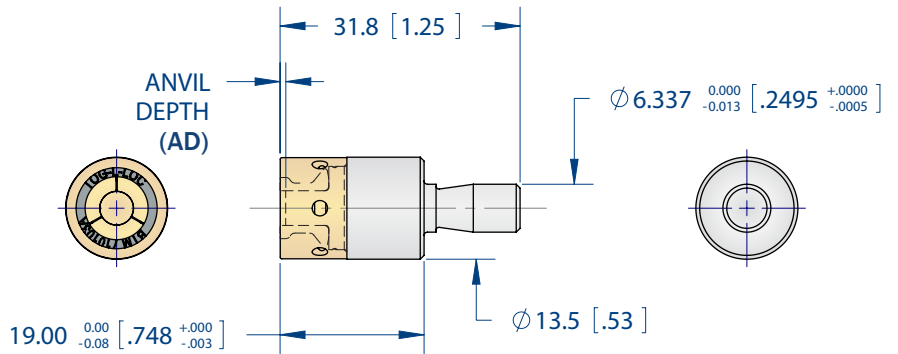
#### NOT INCLUDED:

- ③ One (1) 3.8 “MINI” SSI Tog-L-Loc® Die
- ④ One (1) 940 Retaining Screw [BTM No. 018217]



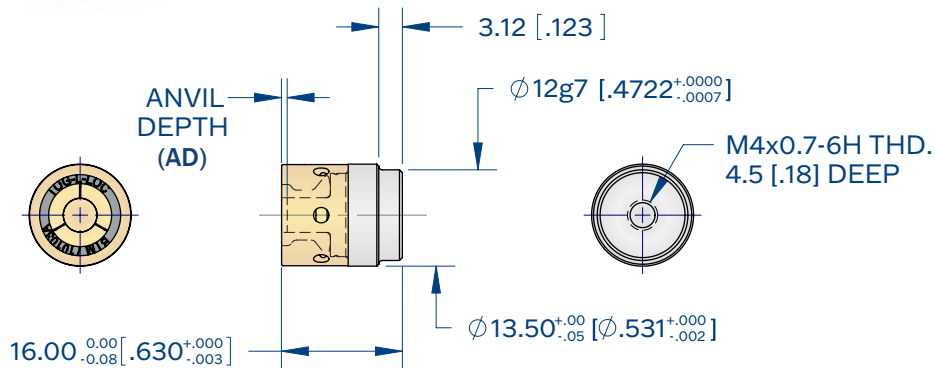
Style "A" die

AD	Standard	Aluminum
.020	794600BE	PD214300BE
.025	794600CE	PD214300CE
.030	794600DE	PD214300DE
.035	794600EE	PD214300EE
.040	794600FE	PD214300FE
.045	794600GE	PD214300GE
.050	794600HE	PD214300HE
.055	794600JE	PD214300JE



Stepped Short Insert (SSI) die

AD	Standard
.020	793700BE
.025	793700CE
.030	793700DE
.035	793700EE
.040	793700FE
.045	793700GE
.050	793700HE
.055	793700JE



SSI Die Extensions

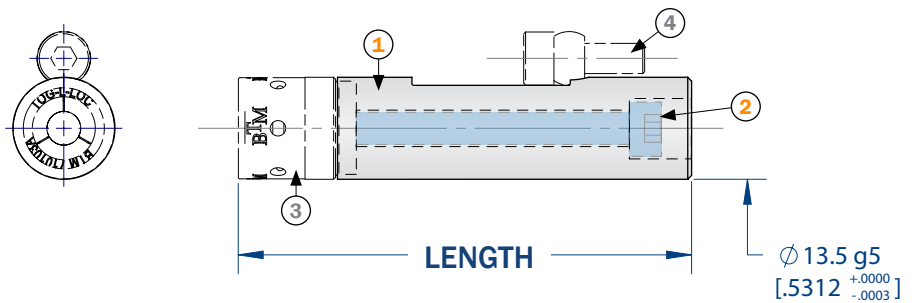
Length	Extension
40mm	796800A
60mm	796800B
80mm	796800C
100mm	796800D

ASSEMBLY INCLUDES:

- ① One (1) Extension
- ② One (1) Die Retaining Screw

NOT INCLUDED:

- ③ One (1) 3.8 SSI Tog-L-Loc® Die
- ④ One (1) 940 Retaining Screw [BTM No. 018217]

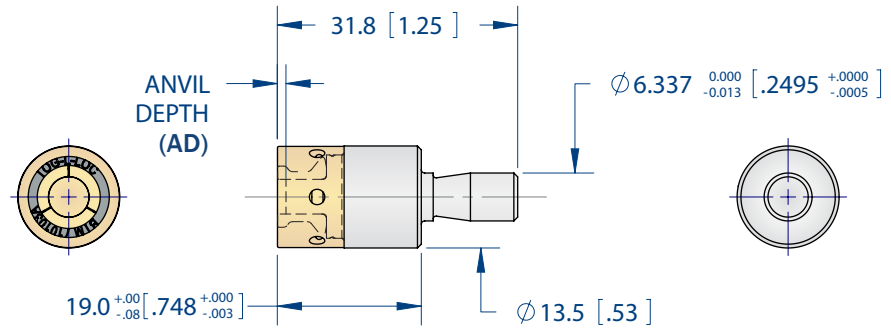


## 4.6 Tog-L-Loc® 940 Series “MINI” DIES

“Mini” dies are used when joining minimum flange widths and total material thickness permits joining with the maximum allowable button diameter (BD). Maximum BD for each mini die is stated.

### “Mini” Style “A” die

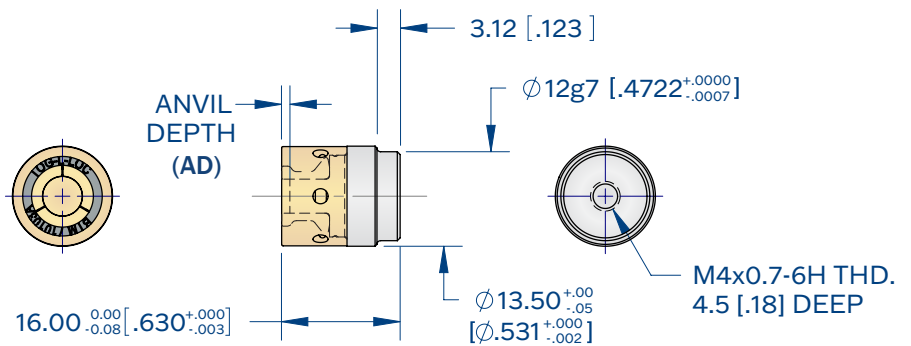
AD	Standard
.020	710100BE
.025	710100CE
.030	710100DE
.035	710100EE
.040	710100FE
.045	710100GE



Contact BTM for the maximum total material thickness this die can join.  
Maximum Button Diameter (BD) for this die is  $\varnothing 7.11$  [.280]

### “Mini” Stepped Short Insert (SSI) die

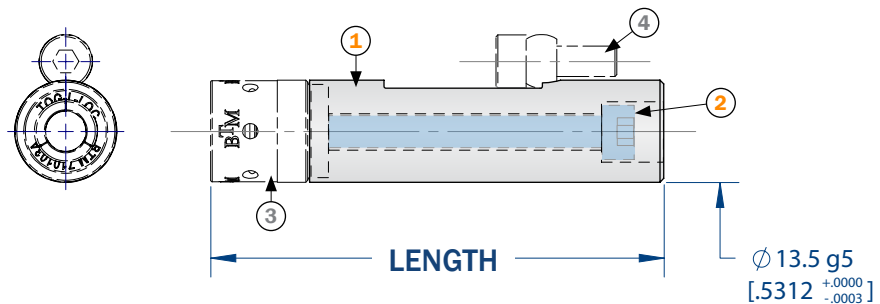
AD	Standard
.020	751900BE
.025	751900CE
.030	751900DE
.035	751900EE
.040	751900FE
.045	751900GE



Contact BTM for the maximum total material thickness this die can join.  
Maximum Button Diameter (BD) for this die is  $\varnothing 7.11$  [.280]

### “Mini” SSI Die Extensions

Length	Extension
40mm	796800A
60mm	796800B
80mm	796800C
100mm	796800D



#### ASSEMBLY INCLUDES:

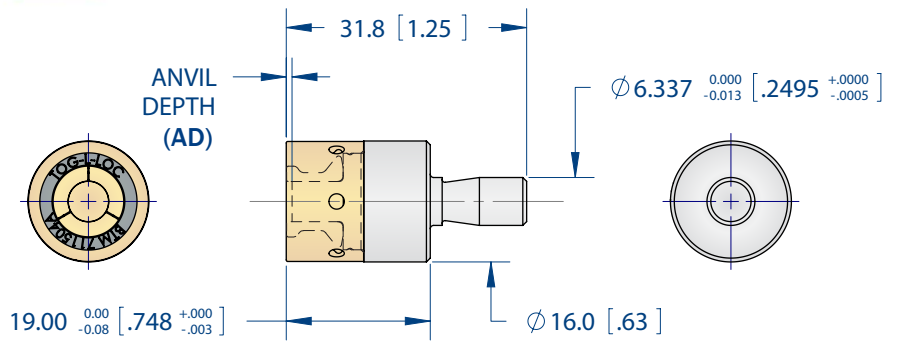
- ① One (1) Extension
- ② One (1) Die Retaining Screw

#### NOT INCLUDED:

- ③ One (1) 4.6 “MINI” SSI Tog-L-Loc® Die
- ④ One (1) 940 Retaining Screw [BTM No. 018217]

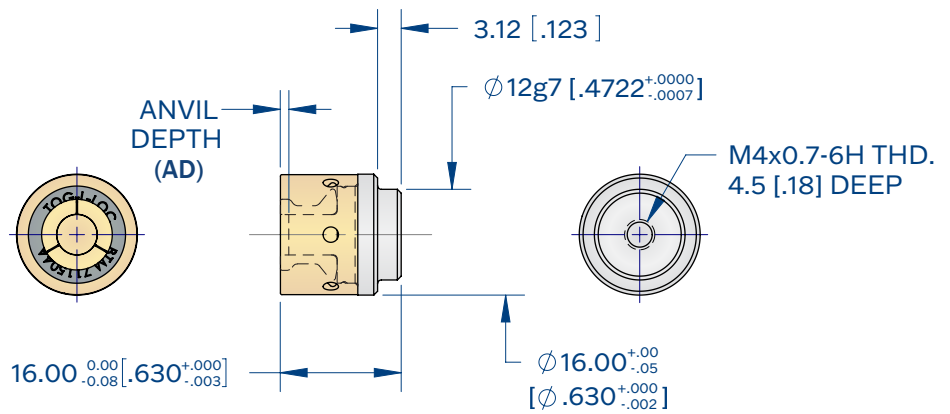
Style “A” die

AD	Standard	Aluminum
.020	716000BE	761700BE
.025	716000CE	761700CE
.030	716000DE	761700DE
.035	716000EE	761700EE
.040	716000FE	761700FE
.045	716000GE	761700GE
.050	716000HE	761700HE
.055	716000JE	761700JE
.060	716000KE	761700KE



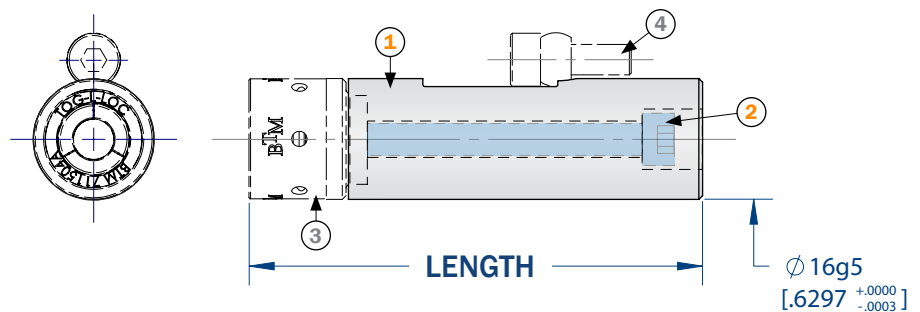
Stepped Short Insert (SSI) die

AD	Standard	Aluminum
.020	751100BE	793300BE
.025	751100CE	793300CE
.030	751100DE	793300DE
.035	751100EE	793300EE
.040	751100FE	793300FE
.045	751100GE	793300GE
.050	751100HE	793300HE
.055	751100JE	793300JE
.060	751100KE	793300KE



SSI Die Extensions

Length	Extension
60mm	PD220900B
80mm	PD220900C
100mm	PD220900D



ASSEMBLY INCLUDES:

- ① One (1) Extension
- ② One (1) Die Retaining Screw

NOT INCLUDED:

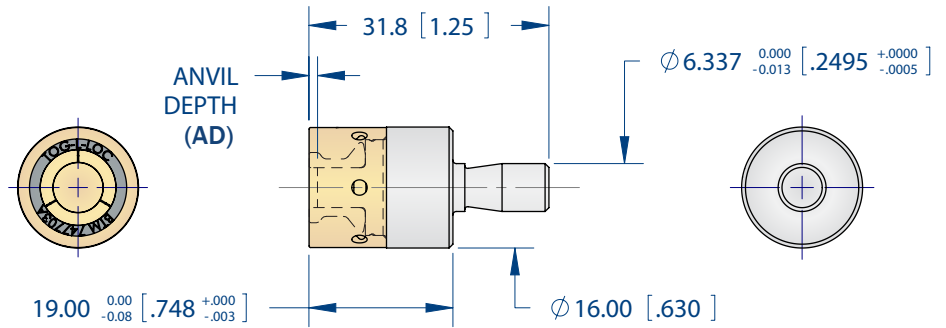
- ③ One (1) 4.6 Tog-L-Loc® Die
- ④ One (1) 940 Retaining Screw [BTM No. 018217]

## 5.5 Tog-L-Loc® 940 Series “MINI” DIES

“Mini” dies are used when joining minimum flange widths and total material thickness permits joining with the maximum allowable button dimension (BD). Maximum BD for each mini die is stated.

### “Mini” Style “A” die

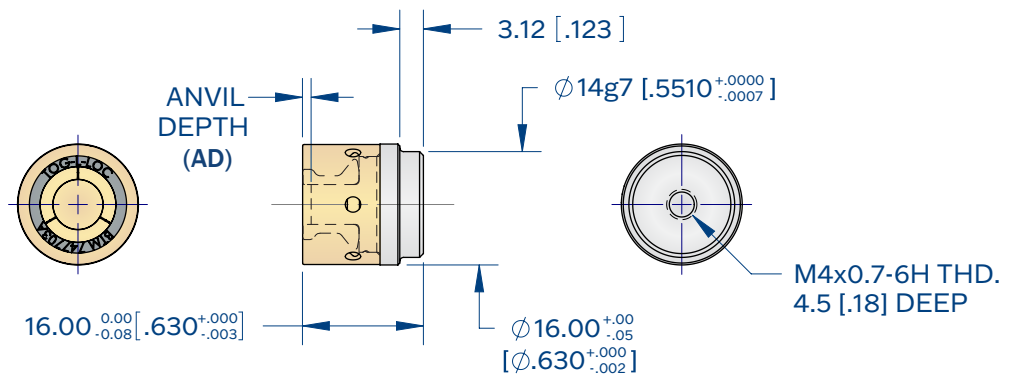
AD	Standard
.025	767500BE
.030	767500CE
.035	767500DE
.040	767500EE
.045	767500FE
.050	767500GE
.055	767500HE



Contact BTM for the maximum total material thickness this die can join.  
Maximum Button Diameter (BD) for this die is Ø8.64 [.340]

### “Mini” Stepped Short Insert (SSI) die

AD	Standard
.025	752000BE
.030	752000CE
.035	752000DE
.040	752000EE
.045	752000FE
.050	752000GE
.055	752000HE



Contact BTM for the maximum total material thickness this die can join.  
Maximum Button Diameter (BD) for this die is Ø8.64 [.340]

### “Mini” SSI Die Extensions

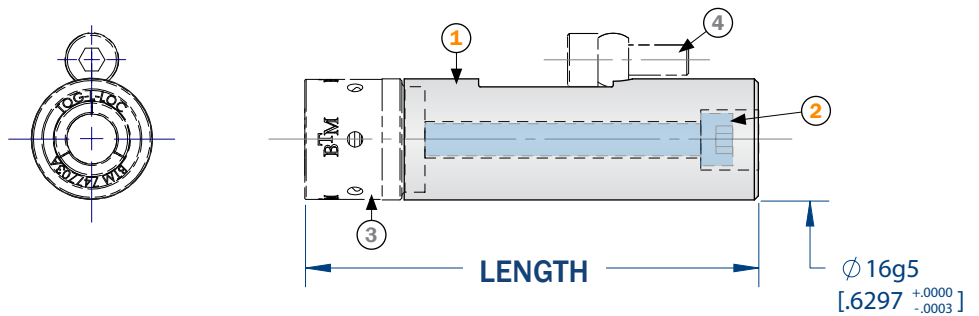
Length	Extension
60mm	PD220500B
80mm	PD220500C
100mm	PD220500D

#### ASSEMBLY INCLUDES:

- ① One (1) Extension
- ② One (1) Die Retaining Screw

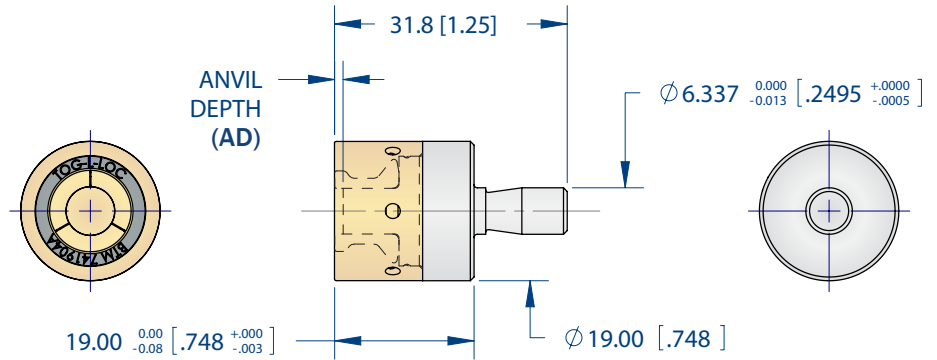
#### NOT INCLUDED:

- ③ One (1) 5.5 “MINI” SSI Tog-L-Loc® Die
- ④ One (1) 940 Retaining Screw [BTM No. 018217]



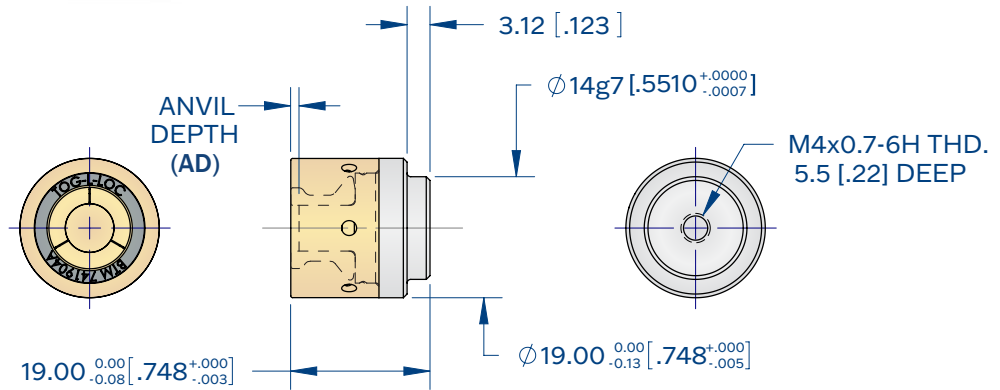
Style "A" die

AD	Standard	Aluminum
.025	742100BE	762100BE
.030	742100CE	762100CE
.035	742100DE	762100DE
.040	742100EE	762100EE
.045	742100FE	762100FE
.050	742100GE	762100GE
.055	742100HE	762100HE
.060	742100JE	762100JE
.065	742100KE	762100KE
.070	742100LE	762100LE



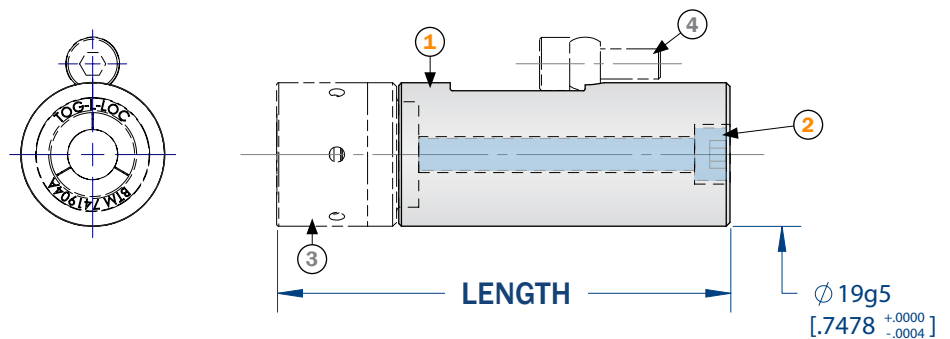
Stepped Short Insert (SSI) die

AD	Standard	Aluminum
.025	743400BE	779300BE
.030	743400CE	779300CE
.035	743400DE	779300DE
.040	743400EE	779300EE
.045	743400FE	779300FE
.050	743400GE	779300GE
.055	743400HE	779300HE
.060	743400JE	779300JE
.065	743400KE	779300KE
.070	743400LE	779300LE



SSI Die Extensions

Length	Extension
60mm	PD220600B
80mm	PD220600C
100mm	PD220600D



ASSEMBLY INCLUDES:

- ① One (1) Extension
- ② One (1) Die Retaining Screw

NOT INCLUDED:

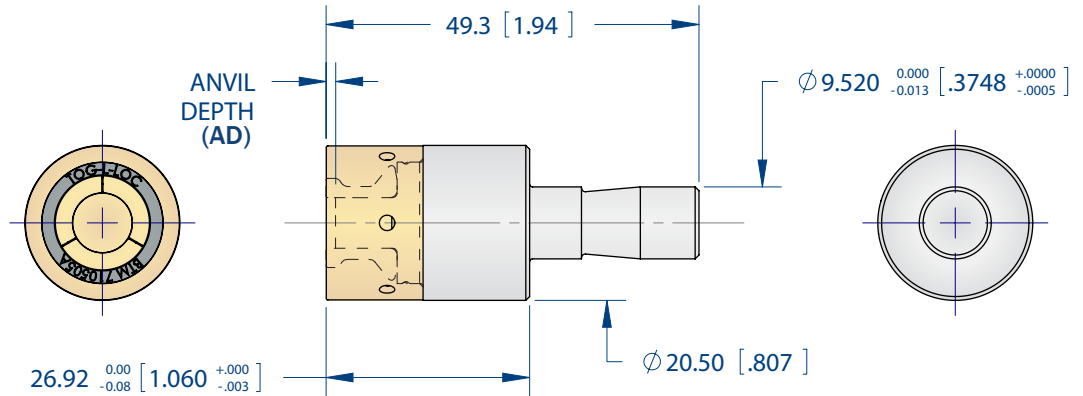
- ③ One (1) 5.5 SSI Tog-L-Loc® Die
- ④ One (1) 940 Retaining Screw [BTM No. 018217]

## 6.4 Tog-L-Loc® 940 Series “MINI” DIES

“Mini” dies are used when joining minimum flange widths and total material thickness permits joining with the maximum allowable button dimension (BD). Maximum BD for each mini die is stated.

### “Mini” Style “A” die

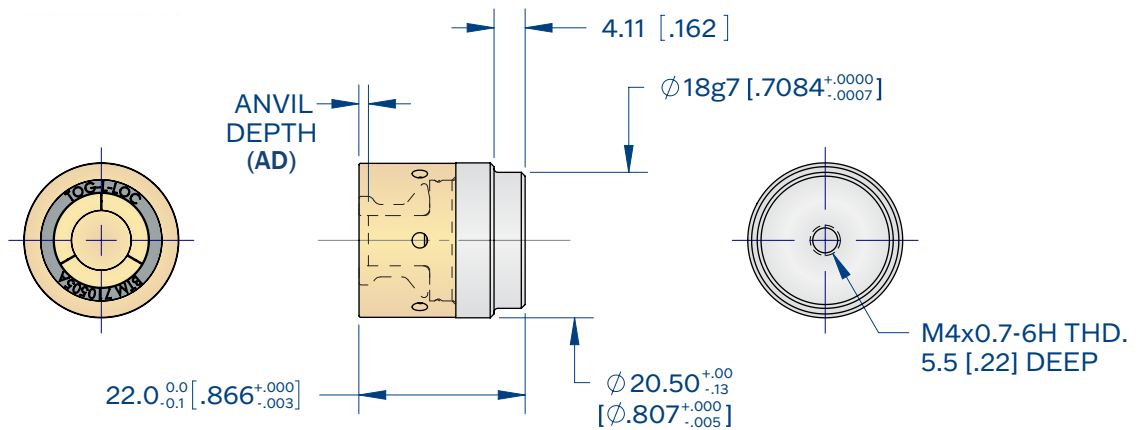
AD	Standard
.030	710900BE
.035	710900CE
.040	710900DE
.045	710900EE
.050	710900FE
.055	710900GE
.060	710900HE
.065	710900JE



Contact BTM for the maximum total material thickness this die can join.  
Maximum Button Diameter (BD) for this die is  $\varnothing 10.16$  [.400]

### “Mini” Stepped Short Insert (SSI) die

AD	Standard
.030	752100BE
.035	752100CE
.040	752100DE
.045	752100EE
.050	752100FE
.055	752100GE
.060	752100HE
.065	752100JE



Contact BTM for the maximum total material thickness this die can join.  
Maximum Button Diameter (BD) for this die is  $\varnothing 10.16$  [.400]

### “Mini” SSI Die Extensions

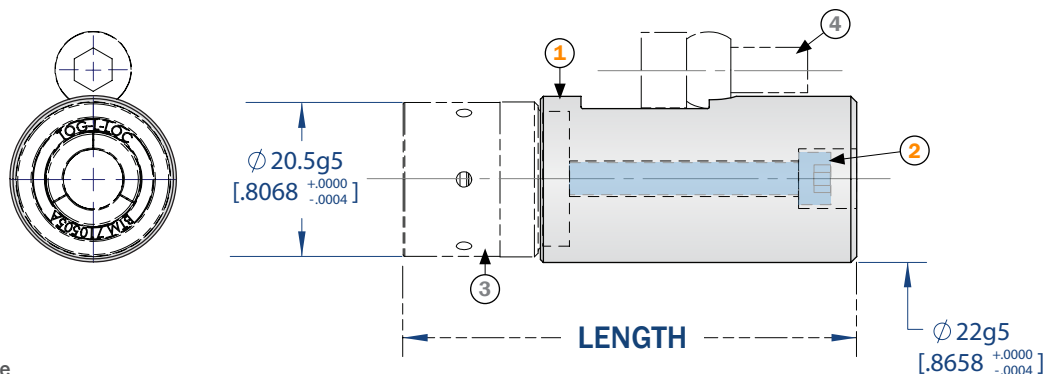
Length	Extension
60mm	PD214700B
80mm	PD214700C
100mm	PD214700D

#### ASSEMBLY INCLUDES:

- ① One (1) Extension
- ② One (1) Die Retaining Screw

#### NOT INCLUDED:

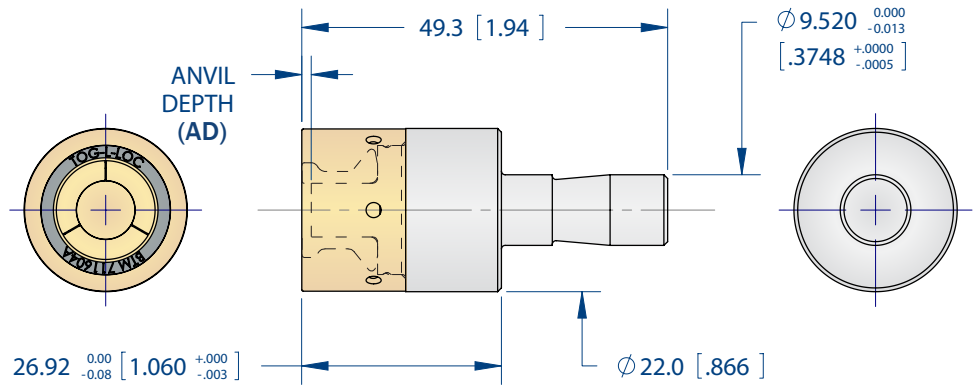
- ③ One (1) 6.4 “MINI” SSI Tog-L-Loc® Die
- ④ One (1) 940 Retaining Screw [BTM No. 023228]





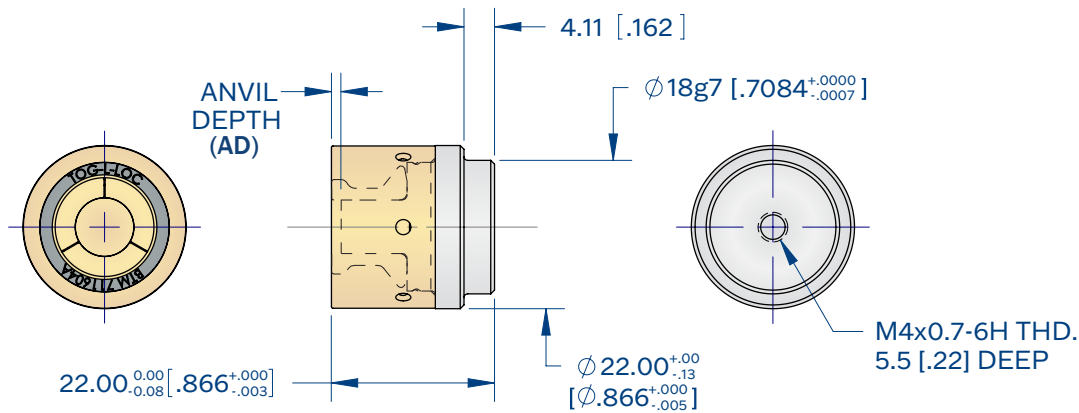
Style "A" die

AD	Standard	Aluminum
.030	744700BE	744800BE
.035	744700CE	744800CE
.040	744700DE	744800DE
.045	744700EE	744800EE
.050	744700FE	744800FE
.055	744700GE	744800GE
.060	744700HE	744800HE
.065	744700JE	744800JE
.070	744700KE	744800KE
.075	744700LE	744800LE
.080	744700ME	744800ME



Stepped Short Insert (SSI) die

AD	Standard	Aluminum
.030	751200BE	779400BE
.035	751200CE	779400CE
.040	751200DE	779400DE
.045	751200EE	779400EE
.050	751200FE	779400FE
.055	751200GE	779400GE
.060	751200HE	779400HE
.065	751200JE	779400JE
.070	751200KE	779400KE
.075	751200LE	779400LE
.080	751200ME	779400ME



SSI Die Extensions

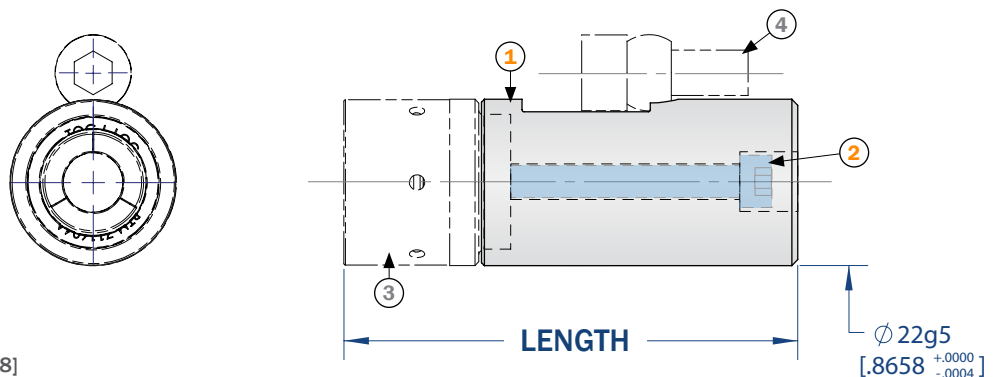
Length	Extension
60mm	PD214700B
80mm	PD214700C
100mm	PD214700D

ASSEMBLY INCLUDES:

- ① One (1) Extension
- ② One (1) Die Retaining Screw

NOT INCLUDED:

- ③ One (1) 6.4 SSI Tog-L-Loc® Die
- ④ One (1) 940 Retaining Screw [BTM No. 023228]

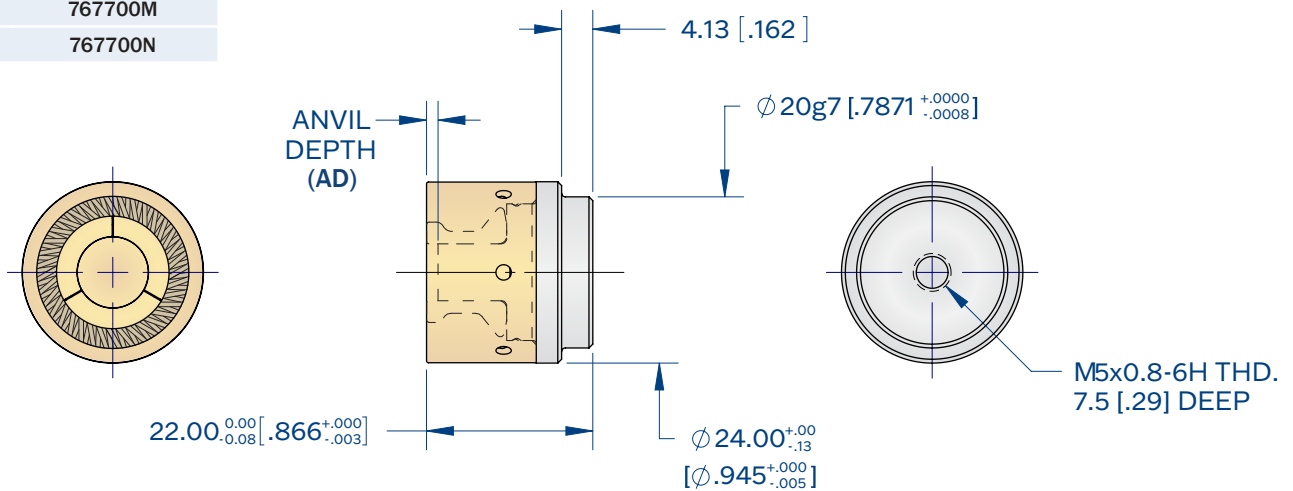


## 7.6 Tog-L-Loc® 940 Series “MINI” DIES

“Mini” dies are used when joining minimum flange widths and total material thickness permits joining with the maximum allowable button dimension (BD). Maximum BD for each mini die is stated.

### “Mini” Stepped Short Insert (SSI) die

AD	Standard
.035	767700B
.040	767700C
.045	767700D
.050	767700E
.055	767700F
.060	767700G
.065	767700H
.070	767700J
.075	767700K
.080	767700L
.085	767700M
.090	767700N



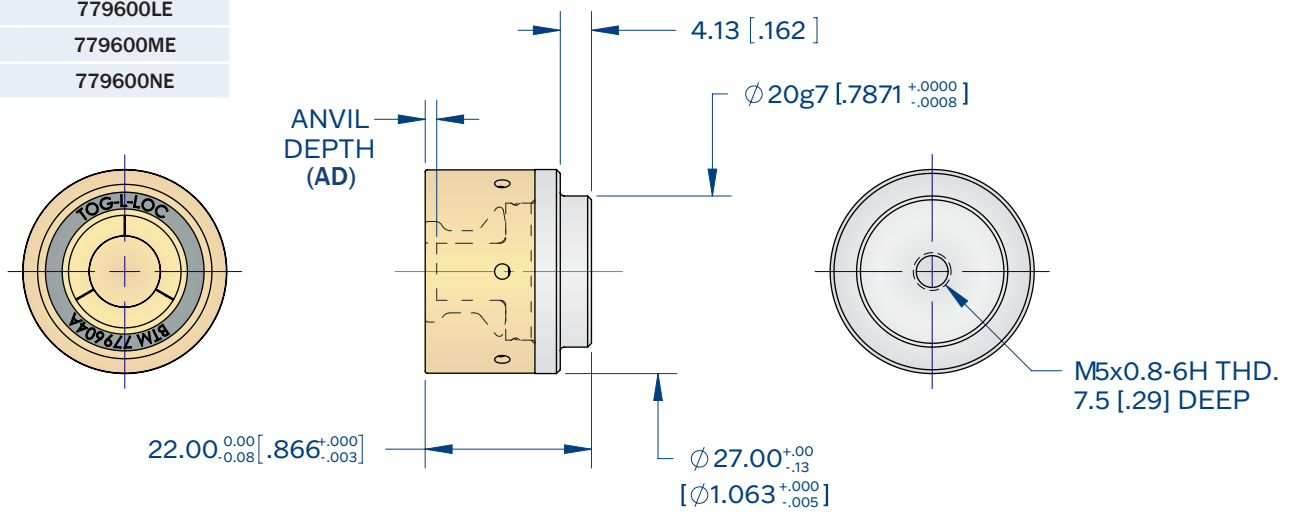
**NOTE:** Elastomeric rings are not available for 7.6 MINI dies. This die utilizes a canted coil spring.

Contact BTM for the maximum total material thickness this die can join.  
Maximum Button Diameter (BD) for this die is  $\varnothing 12.50$  [.492]

“MINI” SSI Die Extensions - Same as Regular 7.6 SSI Extensions (See p. 27)

Stepped Short Insert  
(SSI) die

AD	Standard
.045	779600BE
.050	779600CE
.055	779600DE
.060	779600EE
.065	779600FE
.070	779600GE
.075	779600HE
.080	779600JE
.085	779600KE
.090	779600LE
.095	779600ME
.100	779600NE



SSI Die Extensions

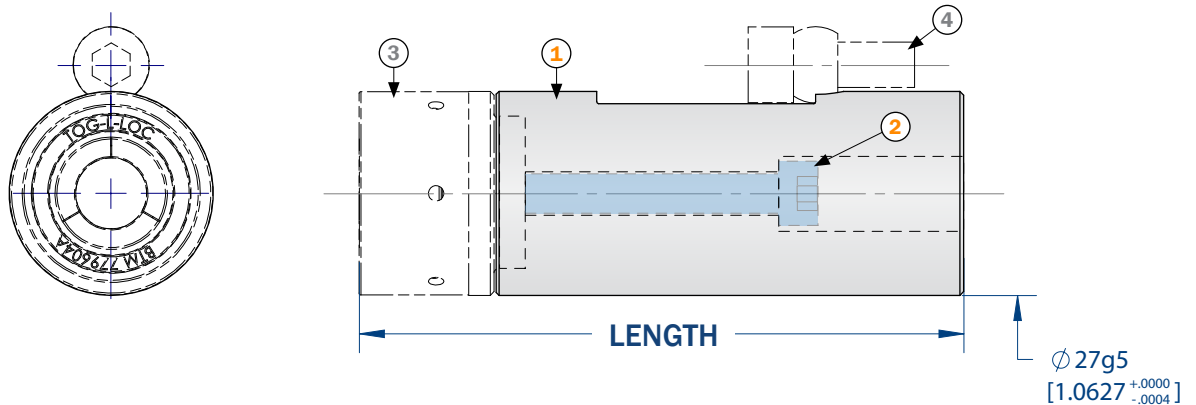
Length	Extension
60mm	PD220700B
80mm	PD220700C
100mm	PD220700D

ASSEMBLY INCLUDES:

- ① One (1) Extension
- ② One (1) Die Retaining Screw

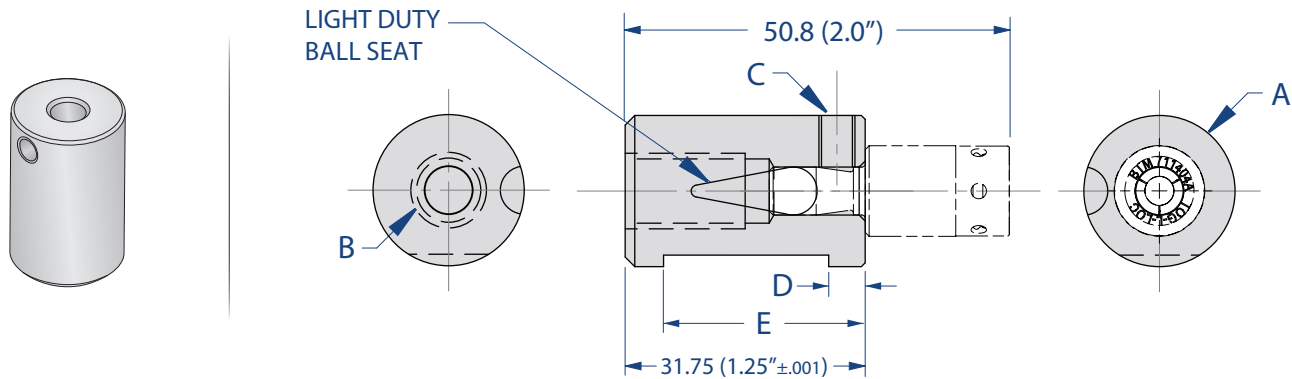
NOT INCLUDED:

- ③ One (1) 7.6 "MINI" or Regular SSI Tog-L-Loc® Die
- ④ One (1) 940 Retaining Screw [BTM No. 023228]



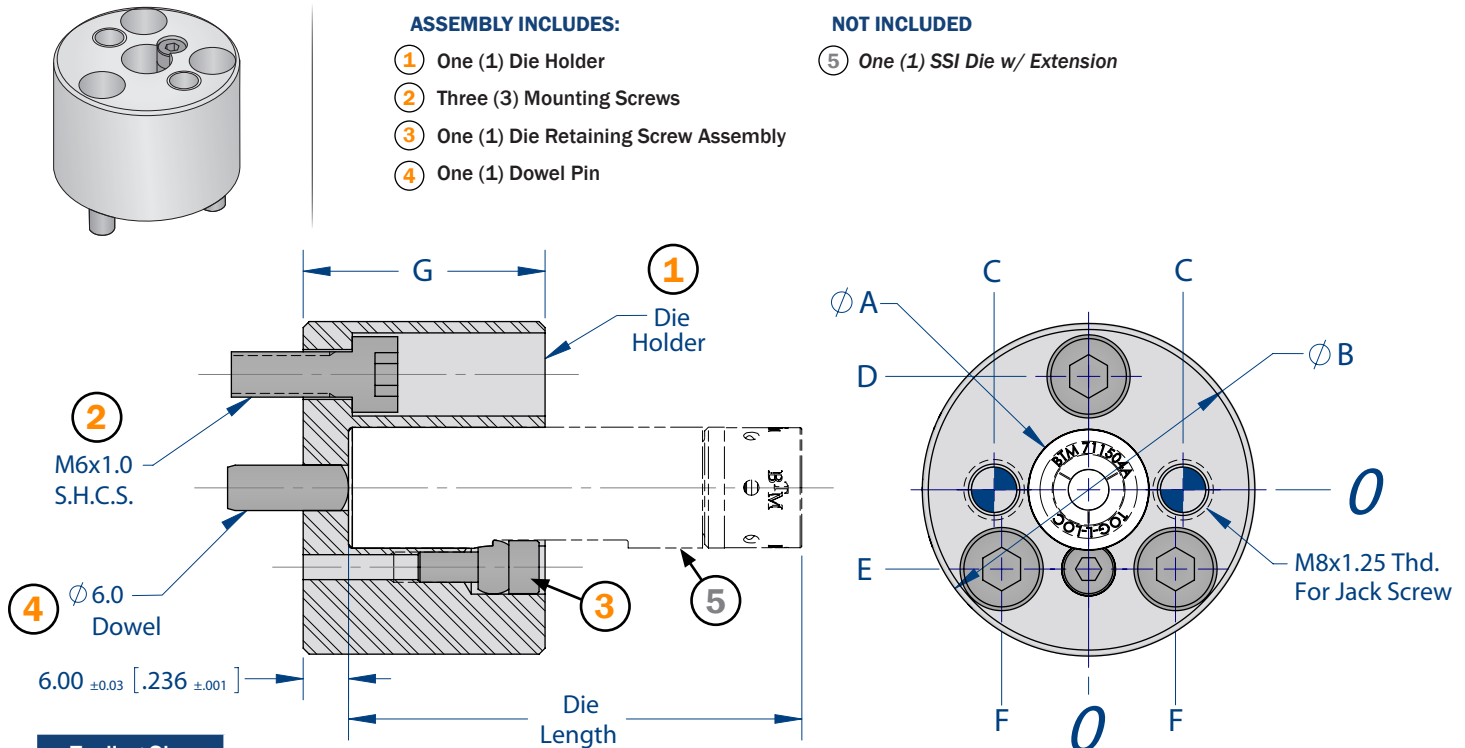
# Tog-Loc® 940 Series DIE HOLDERS

## Style "A" Die Holder - For style "A" & MINI style "A" dies. (Die Sold Separately)



TOOLING	STYLE	A	B	C	D	E	BTM Order No.
3.0-5.5	Metric	Ø 20H6 [.7874" <sup>+0.0000</sup> / <sub>-0.0005</sub> ]	M10x1.5-6H TAP ~ 16 [.63"] DP.	M5x0.8-6H TAP 9.91 [.39"] DP.	5.08 [.20"]	26.92 [1.06"]	019467
	English	Ø 19.05 [.750"]	9.53 [.375"] -24 UNF -2B TAP ~ 15.75 [.62"] DP.	#10-32 UNF -2B TAP 9.65 [.38"] DP.	4.83 [.19"]	28.45 [1.12"]	017838

## Round Die Holder - For 940 series SSI dies with a 40-100mm extension.



### ASSEMBLY INCLUDES:

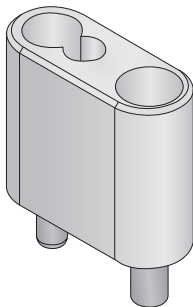
- ① One (1) Die Holder
- ② Three (3) Mounting Screws
- ③ One (1) Die Retaining Screw Assembly
- ④ One (1) Dowel Pin

### NOT INCLUDED

- ⑤ One (1) SSI Die w/ Extension

Tooling Size		A	B	C	D	E	F	G	BTM No.
STD.	"MINI"								
3.0	3.0, 3.8	Ø12H6mm [.4724" <sup>+0.0004</sup> / <sub>-0.0000</sub> ]	Ø44 [1.73"]	12.5 [.492"]	15.0 [.590"]	10.5 [.413"]	11.5 [.453"]	32.0 [1.26"]	715500A
3.8	4.6	Ø13.5H6mm [.5315" <sup>+0.0004</sup> / <sub>-0.0000</sub> ]	Ø44 [1.73"]	12.5 [.492"]	15.0 [.590"]	10.5 [.413"]	11.5 [.453"]	32.0 [1.26"]	796800E
4.6	5.5	Ø16H6mm [.6299" <sup>+0.0004</sup> / <sub>-0.0000</sub> ]	Ø44 [1.73"]	12.5 [.492"]	15.0 [.590"]	10.5 [.413"]	11.5 [.453"]	32.0 [1.26"]	713600A
5.5	—	Ø19H6mm [.7481" <sup>+0.0005</sup> / <sub>-0.0000</sub> ]	Ø52 [2.05"]	19.5 [.768"]	19.5 [.767"]	13.0 [.512"]	14.5 [.571"]	32.0 [1.26"]	743500A
6.4	6.4	Ø22H6mm [.8661" <sup>+0.0005</sup> / <sub>-0.0000</sub> ]	Ø52 [2.05"]	19.5 [.768"]	19.5 [.767"]	13.0 [.512"]	14.5 [.571"]	35.0 [1.38"]	PD214800A

Thin Die Holder - For 940 series SSI dies with a 40-100mm extension.

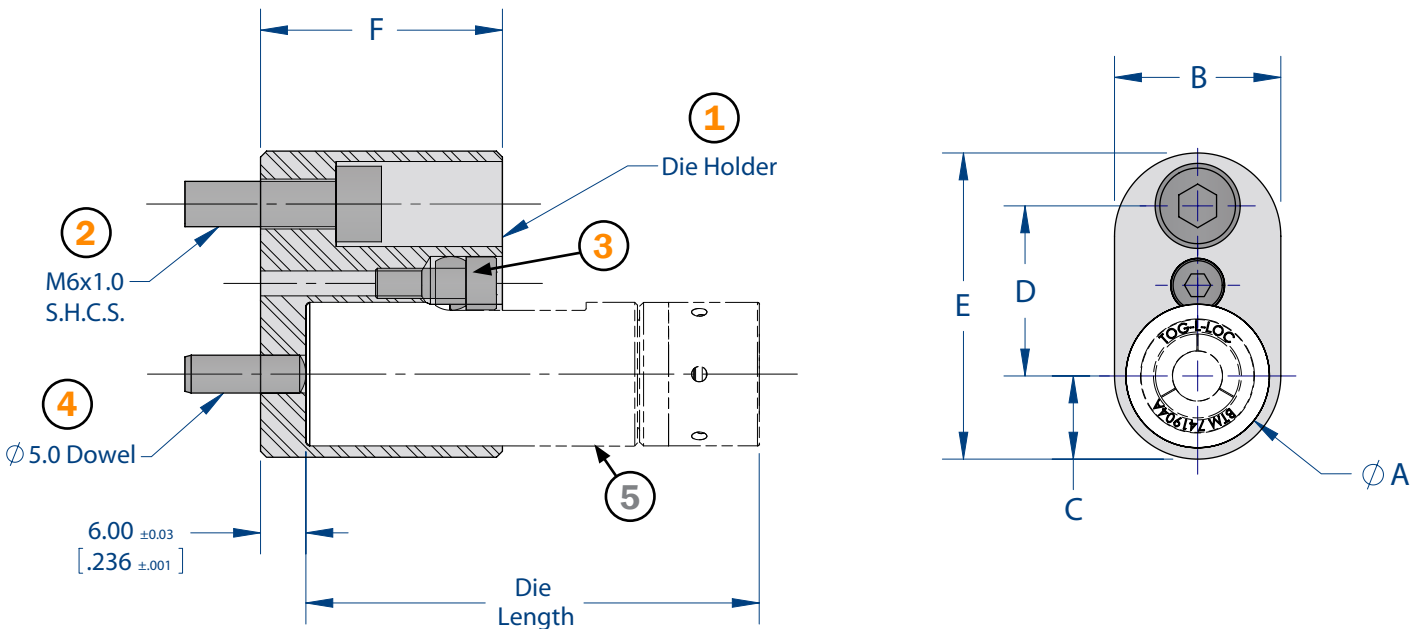


**ASSEMBLY INCLUDES:**

- ① One (1) Die Holder
- ② One (1) Mounting Screw
- ③ One (1) Die Retaining Screw Assembly
- ④ One (1) Dowel Pin

**NOT INCLUDED**

- ⑤ One (1) SSI Die w/ Extension



Tooling Size		A	B	C	D	E	F	BTM No.
STD.	"MINI"							
3.0	3.0, 3.8	Ø12H6mm [.4724" <sup>+0.0004</sup> / <sub>-0.0000</sub> ]	15.0 [.59"]	7.5 [.30"]	22.5 [.886"]	37.0 [1.46"]	32.0 [1.26"]	737400A
3.8	4.6	Ø13.5H6mm [.5315" <sup>+0.0004</sup> / <sub>-0.0000</sub> ]	16.5 [.65"]	8.3 [.33"]	22.5 [.886"]	37.8 [1.49"]	32.0 [1.26"]	PD250100A
4.6	5.5	Ø16H6mm [.6299" <sup>+0.0004</sup> / <sub>-0.0000</sub> ]	19.0 [.75"]	9.5 [.37"]	22.5 [.886"]	39.0 [1.54"]	32.0 [1.26"]	737400C
5.5	—	Ø19H6mm [.7481" <sup>+0.0005</sup> / <sub>-0.0000</sub> ]	22.0 [.87"]	11.0 [.43"]	22.5 [.886"]	40.5 [1.59"]	32.0 [1.26"]	737400H
6.4	6.4	Ø22H6mm [.8661" <sup>+0.0005</sup> / <sub>-0.0000</sub> ]	25.0 [.98"]	12.5 [.49"]	25.0 [.984"]	44.6 [1.76"]	35.0 [1.38"]	PD214900A

### “940” Series Die Retention

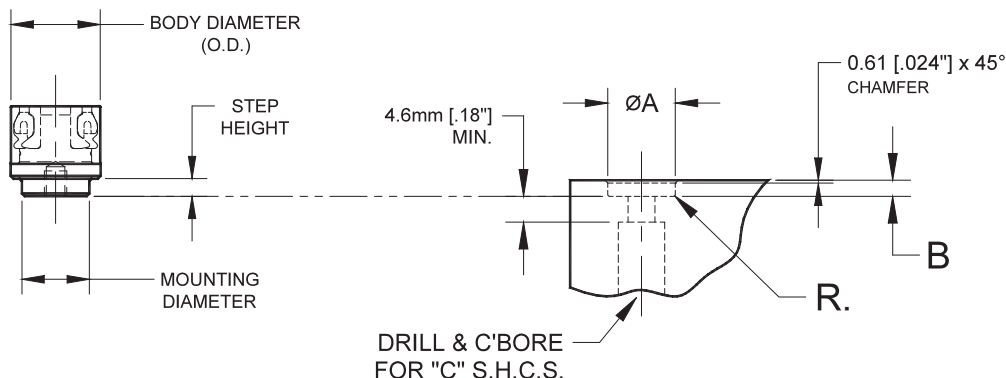
The location tolerance to the centerline of the die hole should be  $\pm 0.013\text{mm}$  [ $\pm 0.0005$ ”].

940 Series dies require a knock out hole from the back side.

Because the 940 die has a built in blade shield, the top of the die should not be flush with the detail it’s mounted in. If anvil strength is not an issue, the typical design method would expose the ring of small holes in the guard can.

### Stepped Short Insert (SSI) Die Mounting

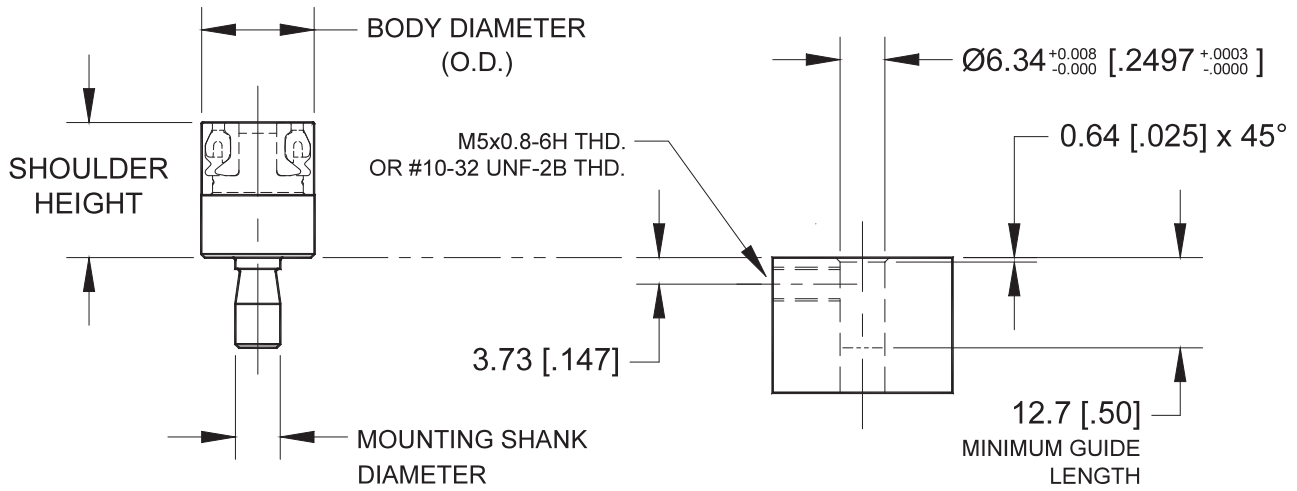
For all Tog-L-Loc® joint sizes



Tooling Size	A	B	C	R
3.0 “MINI”	$\varnothing 8\text{H}6\text{mm}$ [.3150] <sup>+0.003</sup> <sub>-.0000</sub>	2.24 $\pm 0.13$ [.088 $\pm 0.005$ ]	M4x0.7	—
3.0	$\varnothing 8\text{H}6\text{mm}$ [.3150] <sup>+0.003</sup> <sub>-.0000</sub>	2.24 $\pm 0.13$ [.088 $\pm 0.005$ ]	M4x0.7	—
3.8 “MINI”	$\varnothing 10\text{H}6\text{mm}$ [.3937] <sup>+0.004</sup> <sub>-.0000</sub>	2.84 $\pm 0.13$ [.112 $\pm 0.005$ ]	M4x0.7	R0.25 [.010] MAX
3.8	$\varnothing 12\text{H}6\text{mm}$ [.4724] <sup>+0.004</sup> <sub>-.0000</sub>	2.84 $\pm 0.13$ [.112 $\pm 0.005$ ]	M4x0.7	R0.25 [.010] MAX
4.6 “MINI”	$\varnothing 12\text{H}6\text{mm}$ [.4724] <sup>+0.004</sup> <sub>-.0000</sub>	2.84 $\pm 0.13$ [.112 $\pm 0.005$ ]	M4x0.7	R0.25 [.010] MAX
4.6	$\varnothing 12\text{H}6\text{mm}$ [.4724] <sup>+0.004</sup> <sub>-.0000</sub>	2.84 $\pm 0.13$ [.112 $\pm 0.005$ ]	M4x0.7	R0.33 $\pm 0.13$ [.013 $\pm 0.005$ ]
5.5 “MINI”	$\varnothing 14\text{H}6\text{mm}$ [.5512] <sup>+0.004</sup> <sub>-.0000</sub>	2.84 $\pm 0.13$ [.112 $\pm 0.005$ ]	M4x0.7	R0.33 $\pm 0.13$ [.013 $\pm 0.005$ ]
5.5	$\varnothing 14\text{H}6\text{mm}$ [.5512] <sup>+0.004</sup> <sub>-.0000</sub>	2.84 $\pm 0.13$ [.112 $\pm 0.005$ ]	M4x0.7	R0.33 $\pm 0.13$ [.013 $\pm 0.005$ ]
6.4 “MINI”	$\varnothing 18\text{H}6\text{mm}$ [.7087] <sup>+0.005</sup> <sub>-.0000</sub>	3.84 $\pm 0.13$ [.151 $\pm 0.005$ ]	M4x0.7	R0.33 $\pm 0.13$ [.013 $\pm 0.005$ ]
6.4	$\varnothing 18\text{H}6\text{mm}$ [.7087] <sup>+0.005</sup> <sub>-.0000</sub>	3.84 $\pm 0.13$ [.151 $\pm 0.005$ ]	M4x0.7	R0.33 $\pm 0.13$ [.013 $\pm 0.005$ ]
7.6 “MINI”	$\varnothing 20\text{H}6\text{mm}$ [.7874] <sup>+0.005</sup> <sub>-.0000</sub>	3.84 $\pm 0.13$ [.151 $\pm 0.005$ ]	M5x0.8	R0.36 $\pm 0.13$ [.014 $\pm 0.005$ ]
7.6	$\varnothing 20\text{H}6\text{mm}$ [.7874] <sup>+0.005</sup> <sub>-.0000</sub>	3.84 $\pm 0.13$ [.151 $\pm 0.005$ ]	M5x0.8	R0.36 $\pm 0.13$ [.014 $\pm 0.005$ ]

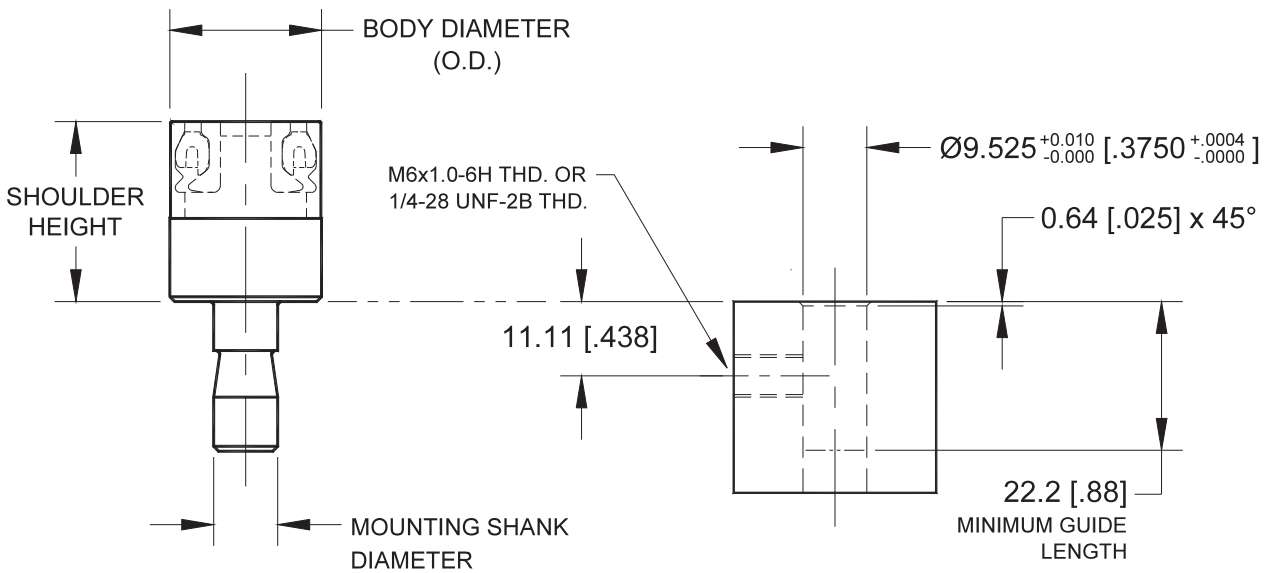
### Style "A" Die Mounting

For **3.0, 3.8, 4.6, & 5.5** Tog-L-Loc® joints.



### Style "A" Die Mounting

For **6.4** Tog-L-Loc® joints.





BTM has a wide range of products for applying Tog-L-Loc® tooling including:

### Hand-held Units



BTM hand-held units are an economical approach to fastening sheet metal assemblies. Pneumatic, Hydraulic, and Self-Contained Units in a variety of styles are available. The units can be set up to join a range of thicknesses or optimized for a specific metal thickness.

### Die Sets



Tog-L-Loc® tooling can be inexpensively designed into single or compound motion die set packages.

### Universal Presses



Pneumatic Universal Presses easily adapt to join a variety of parts, a range of thicknesses and may be optimized for specific metal thickness.

### Special Fixtures



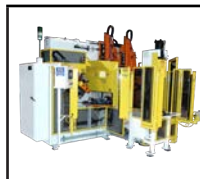
Manually loaded and unloaded dedicated tooling can be built for a single part or a family of parts.

### Specialized Units



BTM provides pneumatic, hydraulic, air/oil, and electrically driven units with single or dual motions for both stationary and robotic applications.

### Special Systems



Achieve faster cycle times with automatic parts handling and/or by combining processes.

For more information, or to see our full line of products, please visit:

**BTMCOMP.COM**